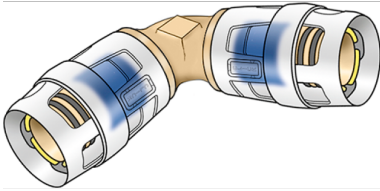


KELOX

KMP425X KELOX-PROTEC CLIX elbow 45° 25

730106EE0

Areas of application



Plug-in elbow 45° for changing direction with a minimal radius, made of dezincification-resistant brass (DZR), incl. push-on sleeve made of transparent polyamide with insertion click noise, as well as haptic and optical insertion indicator, O-rings, withdrawal barriers and protector ring as insertion locking device

Approvals:



KE KELIT GmbH

A 4020 Linz, Ignaz-Mayer-Straße 17, Austria, Europe

PHONE +43 (0) 50 779 E-MAIL office@kekelit.com

www.kekelit.com

Specifications

Article information

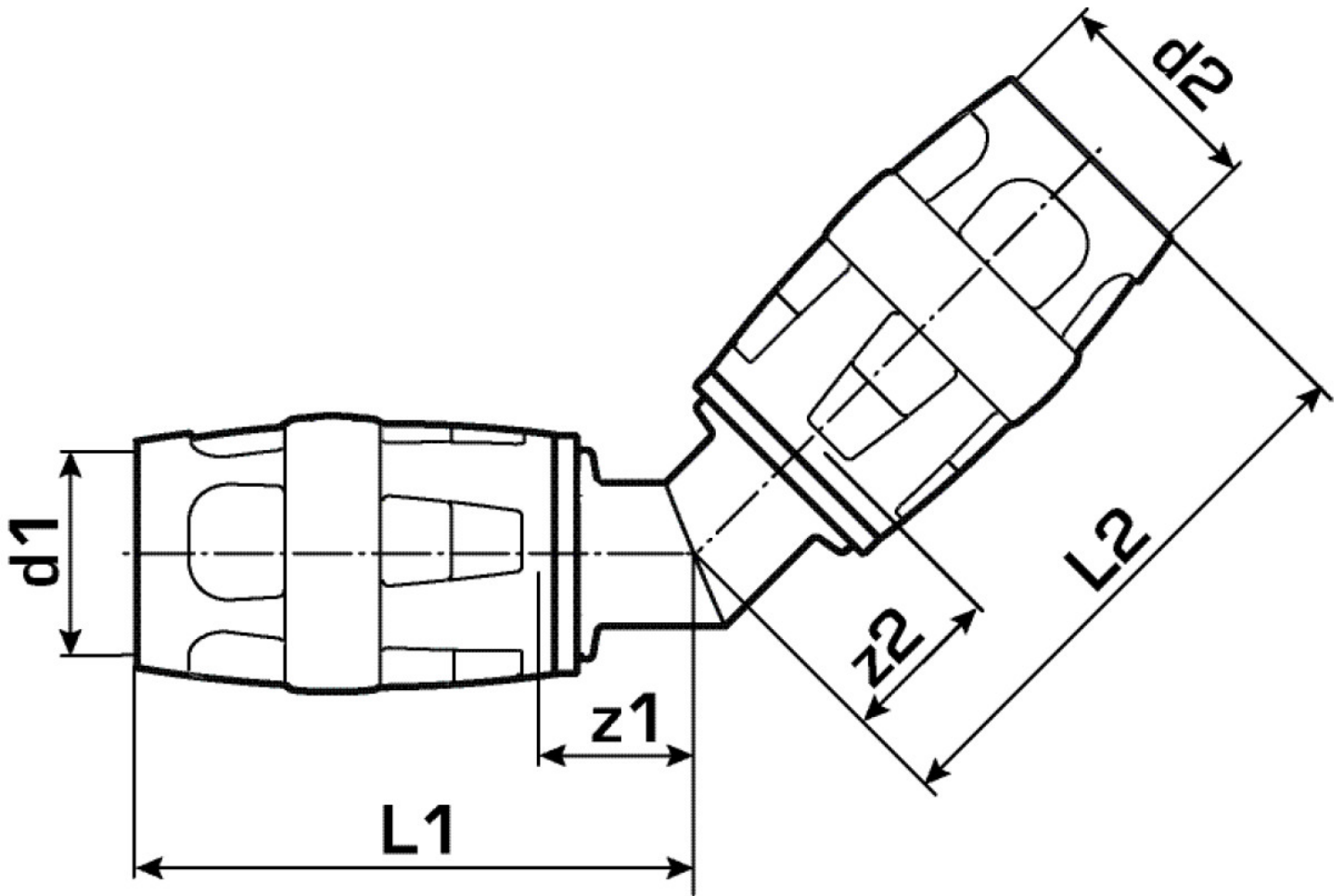
| | |
|-----------|---------------|
| port 1 | Plug-in |
| port 2 | Plug-in |
| execution | Miscellaneous |
| design | Knee |
| angle | 45 ° |

Technical properties

| | |
|------------------------------------|--------|
| maximum working pressure at 20 ° C | 10 bar |
|------------------------------------|--------|

Product information

| | |
|---------------------|-----------------------------|
| VPE1 | 10,00 SA1 |
| VPE2 | 70,00 KT1 |
| weight | 0,026 KGM |
| text | KELOX-PROTEC CLIX elbow 45° |
| INTRNR | 74122000 |
| main material group | KELOX |
| material group | KELOX-PROtec pushfittings |
| code | KMP425X |



| Art. No | label | d1 mm | d2 mm | L1 mm | L2 mm | z1 mm | z2 mm |
|-----------|-------|-------|-------|-------|-------|-------|-------|
| 730106EE0 | 25 | 25 | 25 | 57 | 57 | 18 | 18 |