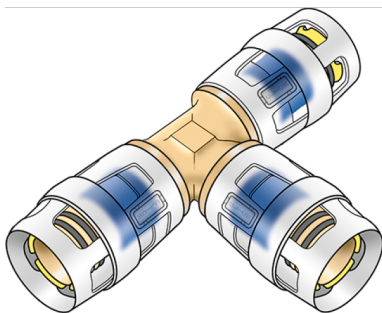


# KELOX

## KMP440X KELOX-PROTEC CLIX tee 20/16/20

730110DBD

### Areas of application



?Push-in tee equal or reduced, made of dezincification-resistant brass (DZR), incl. push-on sleeve made of transparent polyamide with insertion click noise, as well as haptic and optical insertion indicator, O-rings, withdrawal barriers and a protector ring as an insertion locking device.

### Approvals:



KE KELIT GmbH

A 4020 Linz, Ignaz-Mayer-Straße 17, Austria, Europe

PHONE +43 (0) 50 779 E-MAIL [office@kekelit.com](mailto:office@kekelit.com)

[www.kekelit.com](http://www.kekelit.com)

# Specifications

## Article information

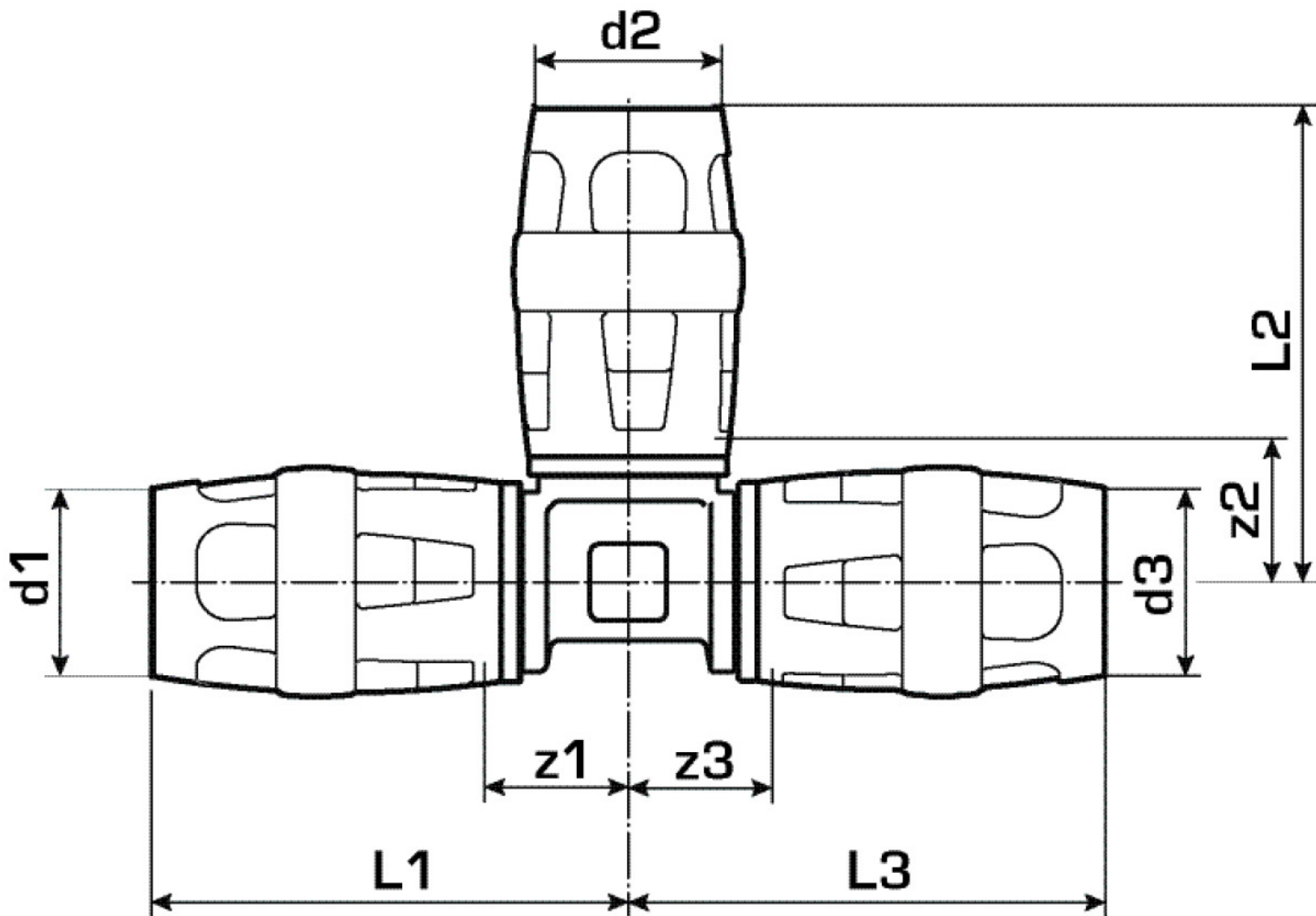
port 1	Plug-in
port 2	Plug-in
port 3	insert (push-fitting)
execution	Tee piece
angle	90 °

## Technical properties

maximum working pressure at 20 ° C	10 bar
------------------------------------	--------

## Product information

VPE1	10,00 SA1
VPE2	80,00 KT1
weight	0,128 KGM
text	KELOX-PROTEC CLIX tee
INTRNR	74122000
main material group	KELOX
material group	KELOX-PROtec pushfittings
code	KMP440X



Art. No	label	d1 mm	d2 mm	d3 mm	L1 mm	L2 mm	L3 mm	z1 mm	z2 mm	z3 mm
730110DE	20/16/20	20	16	20	49	52	52	16	16	19