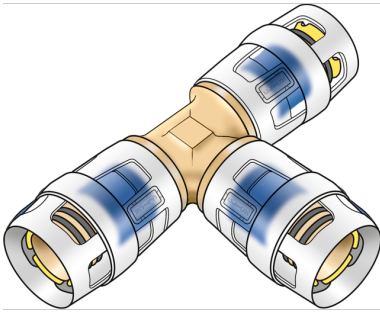


KELOX

KMP440ZX KELOX-PROTEC CLIX Zeta tee 20/20/20

730111DDD

Areas of application



Zeta value-optimised plug-in tee equal or reduced, made of dezincification-resistant brass (DZR), incl. push-on sleeve made of transparent polyamide with insertion click noise, as well as haptic and optical insertion indicator, O-rings, withdrawal barriers and a protector ring as an insertion locking device

Approvals:



Specifications

Article information

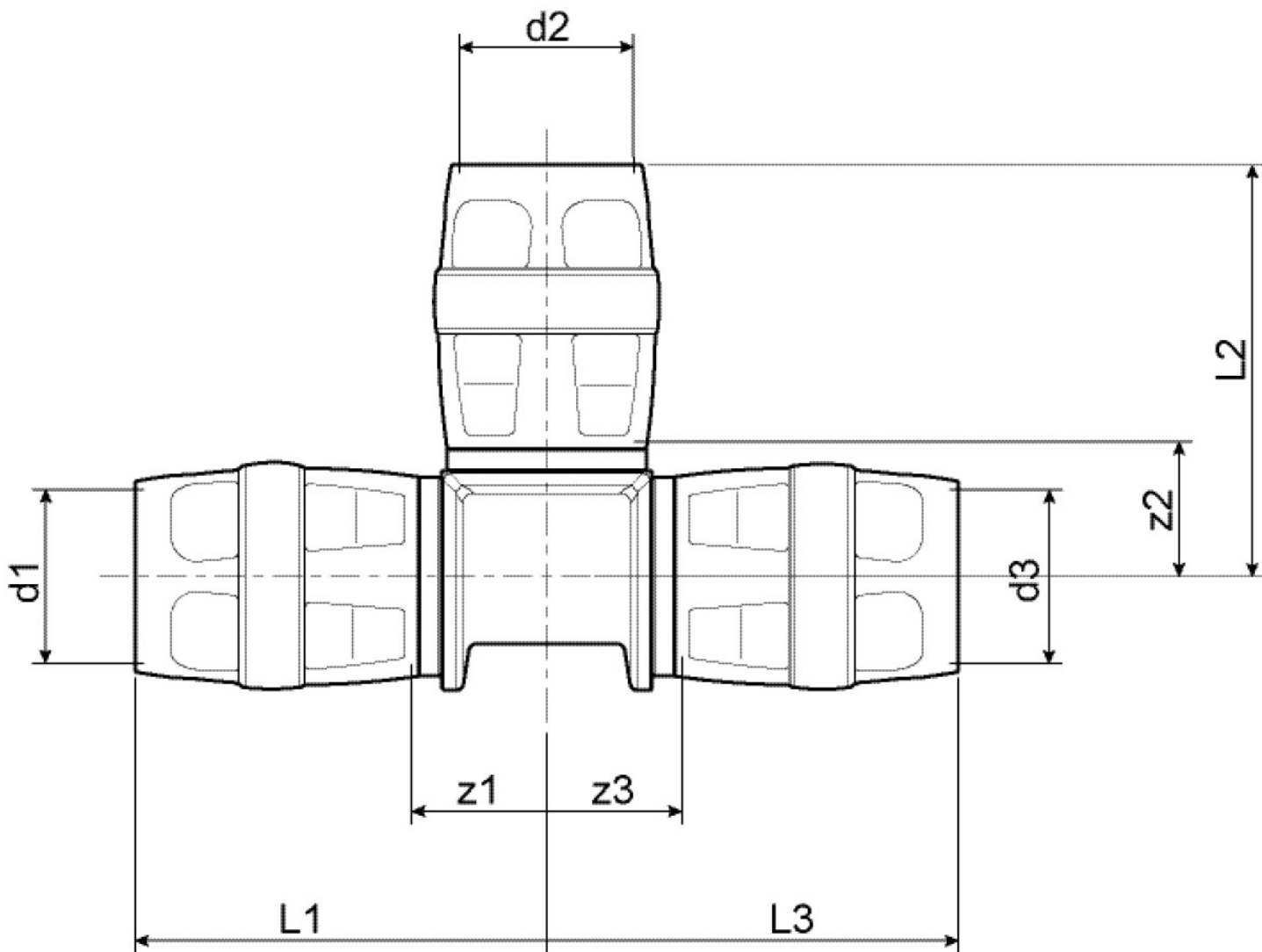
port 1	Plug-in
port 2	Plug-in
port 3	Plug-in
execution	Tee piece
angle	90 °

Technical properties

maximum working pressure at 20 ° C	10 bar
------------------------------------	--------

Product information

VPE1	10,00 SA1
VPE2	80,00 KT1
weight	0,025 KGM
text	KELOX-PROTEC CLIX Zeta tee
INTRNR	74122000
main material group	KELOX
material group	KELOX-PROtec pushfittings
code	KMP440ZX



Art. No	label	d1 mm	d2 mm	d3 mm	L1 mm	L2 mm	L3 mm	z1 mm	z2 mm	z3 mm
730111DE	20/20/20	20	20	20	48,5	48,5	48,5	15,5	15,5	15,5