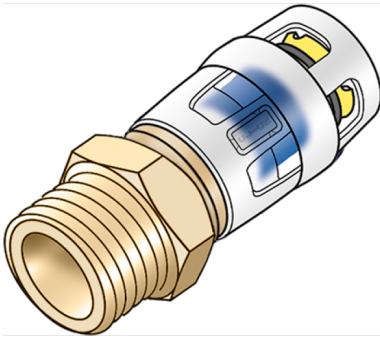


# KELOX

## KMP450X KELOX-PROTEC CLIX adapter with male thread 32x1"

730202F05

### Areas of application



Plug-in adapter with male thread for sealing, made of high-quality dezincification-resistant brass (DZR), incl. support sleeves with insertion click noise, as well as haptic and optical insertion indicator, O-rings, withdrawal barriers and protector ring as insertion locking device

### Approvals:



KE KELIT GmbH

A 4020 Linz, Ignaz-Mayer-Straße 17, Austria, Europe

PHONE +43 (0) 50 779 E-MAIL [office@kekelit.com](mailto:office@kekelit.com)

[www.kekelit.com](http://www.kekelit.com)

# Specifications

## Article information

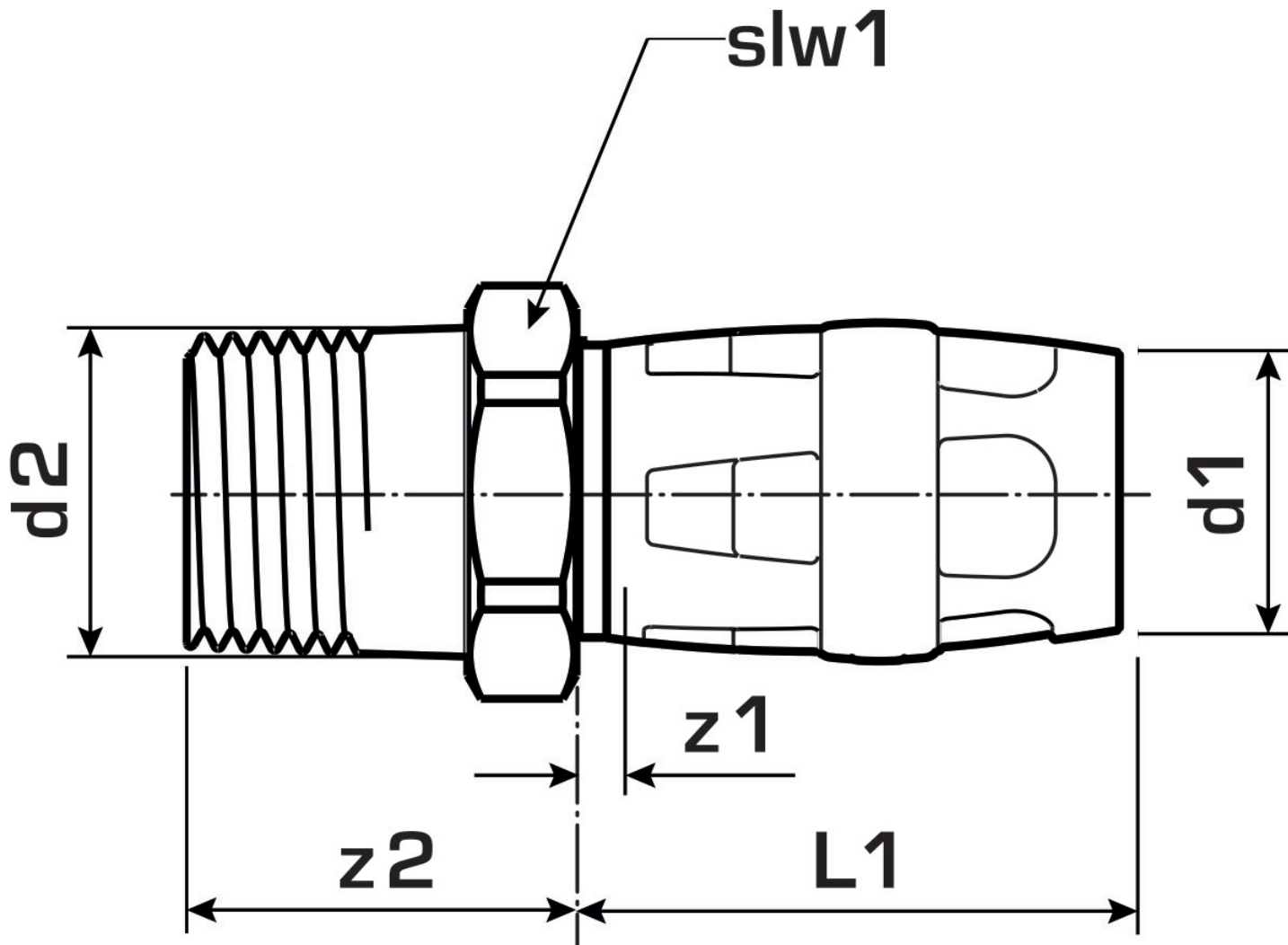
port 1	Plug-in
port 2	Female thread cylindrical BSPT-Rp (ISO 7-1)
execution	sonstige
design	Straight

## Technical properties

maximum working pressure at 20 ° C	10 bar
------------------------------------	--------

## Product information

VPE1	10,00 SA1
VPE2	60,00 KT1
weight	0,183 KGM
text	KELOX-PROTEC CLIX adapter with male thread
INTRNR	74122000
main material group	KELOX
material group	KELOX-PROtec pushfittings
code	KMP450X



Art. No	label	d2	d1 mm	L1 mm	z1 mm	z2 mm	slw1 mm
730202F05	32x1"	1"	32	29,5	3,5	39	24