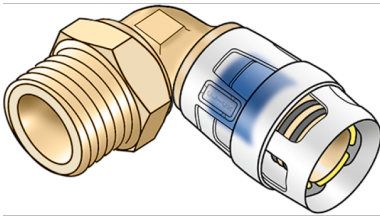


KELOX

KMP460X KELOX-PROTEC CLIX adapter elbow 90° with male thread 32x1"

730212F05

Areas of application



Plug-in adapter elbow with male thread, made of dezincification-resistant (DZR) brass, incl. push-on sleeve made of transparent polyamide with insertion click noise, as well as haptic and optical insertion indicator, O-rings, withdrawal barriers and protector ring as an insertion locking device

Approvals:



Specifications

Article information

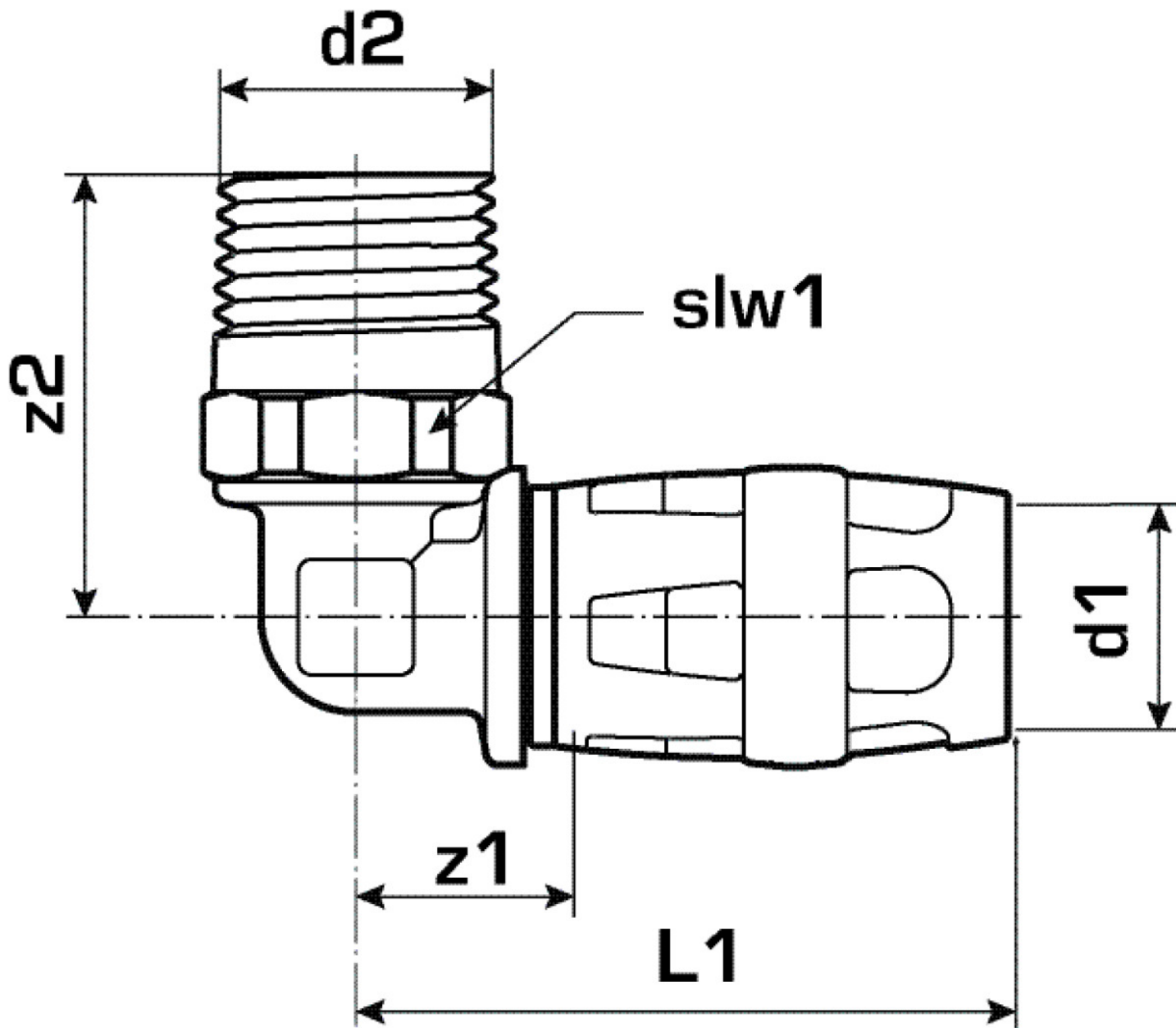
port 1	Plug-in
port 2	Male thread conical (NPT) conical (NPT)
design	Knee
angle	90 °

Technical properties

maximum working pressure at 20 ° C	10 bar
------------------------------------	--------

Product information

VPE1	6,00 SA1
VPE2	48,00 KT1
weight	0,018 KGM
text	KELOX-PROTEC CLIX adapter elbow 90° with male thread
INTRNR	74122000
main material group	KELOX
material group	KELOX-PROtec pushfittings
code	KMP460X



Art. No	label	d2 Zoll	d1 mm	L1 mm	L2 mm	z1 mm	z2 mm	slw1 mm
730212F05	32x1"	1 Zoll (25)	32	62	51	23	51	34