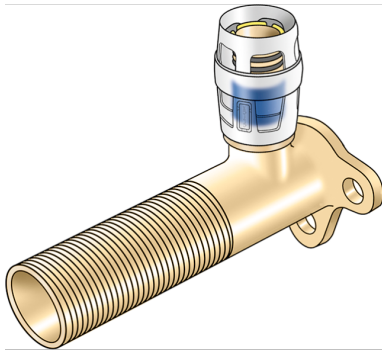


KELOX

KMP481X KELOX-PROTEC CLIX wall bracket fitting 90° with male thread 50mm 20x1/2"x50

730256D02

Areas of application



Plug-in wall bracket fitting with 50 mm male thread, made of dezincification-resistant (DZR) brass, incl. push-on sleeve made of transparent polyamide push-on sleeve with insertion click noise, as well as haptic and optical insertion indicator, O-rings, withdrawal barriers and a protector ring as an insertion locking device

Overall height: 1/2" - 80mm

Approvals:



Specifications

Technical properties

maximum working pressure at 20 ° C 10 bar

Product information

VPE1 10,00 SA1

VPE2 60,00 KT1

weight 0,172 KGM

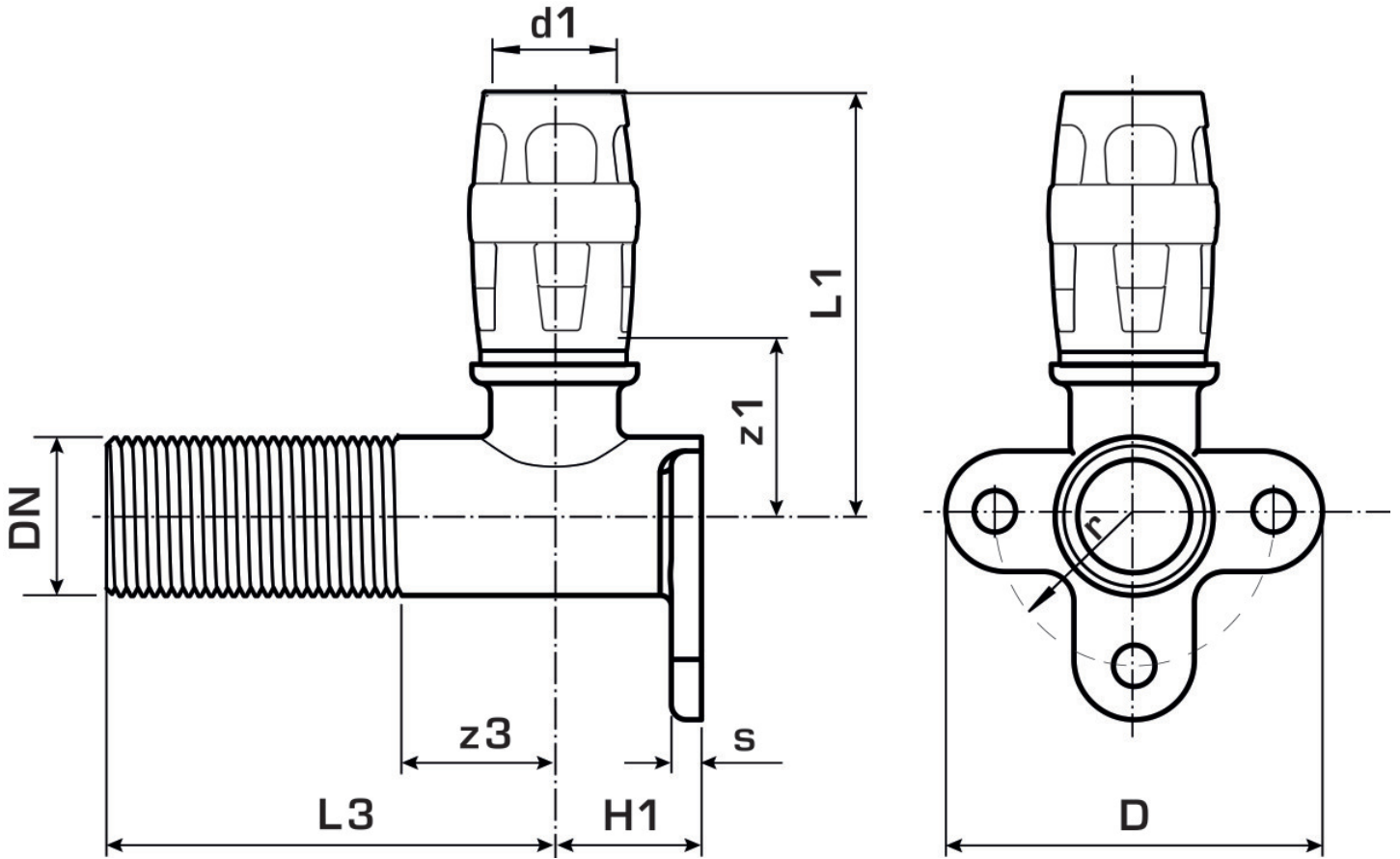
text KELOX-PROTEC CLIX wall bracket fitting 90° with male thread 50mm

INTRNR 74122000

main material group KELOX

material group KELOX-PROtec pushfittings

code KMP481X



Art. No	label	d1 mm	L1 mm	L3 mm	z1 mm	z3 mm
730256D02	20x1/2"x50	20	60	60	27	10