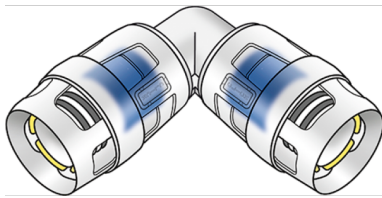


KELOX

KWP420X KELOX-PROTEC CLIX PPSU elbow 90° 16

730603BB0

Areas of application



Plug-in elbow 90° for changing direction with a minimal radius, made of PPSU, including support sleeves with insertion click noise, as well as haptic and optical insertion indicator, O-rings, withdrawal barriers and protector ring as insertion locking device

Approvals:



Specifications

Article information

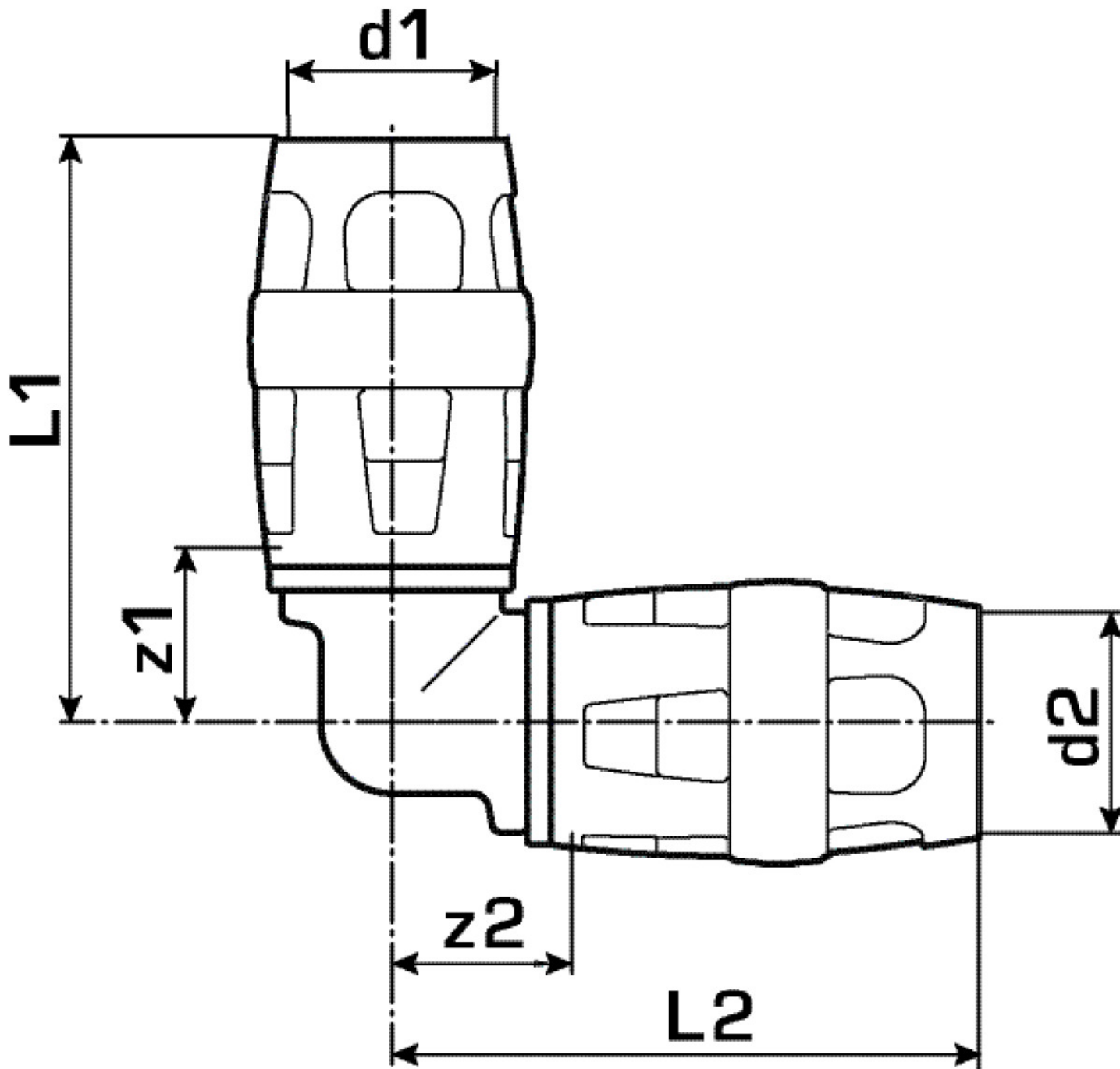
port 1	Plug-in
port 2	Plug-in
execution	Miscellaneous
design	Knee
angle	90 °

Technical properties

maximum working pressure at 20 ° C	10 bar
------------------------------------	--------

Product information

VPE1	10,00 SA1
VPE2	150,00 KT1
weight	0,026 KGM
text	KELOX-PROTEC CLIX PPSU elbow 90°
INTRNR	39174000
main material group	KELOX
material group	KELOX-PROtec-PPSU pushfittings
code	KWP420X



Art. No	label	d1 mm	d2 mm	L1 mm	L2 mm	z1 mm	z2 mm
730603BB0	16	16	16	46	46	14,5	14,5