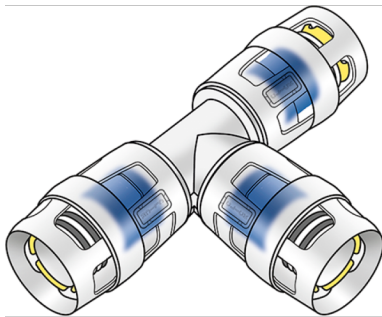


KELOX

KWP440X KELOX-PROTEC CLIX PPSU tee 20/16/20

730610DBD

Areas of application



Plug-in tee equal or reduced, made of PPSU, incl. support sleeves, with insertion click noise, as well as haptic and optical insertion indicator, O-rings, withdrawal barriers and a protector ring as an insertion locking device

Approvals:



KE KELIT GmbH

A 4020 Linz, Ignaz-Mayer-Straße 17, Austria, Europe

PHONE +43 (0) 50 779 E-MAIL office@kekelit.com

www.kekelit.com

Specifications

Article information

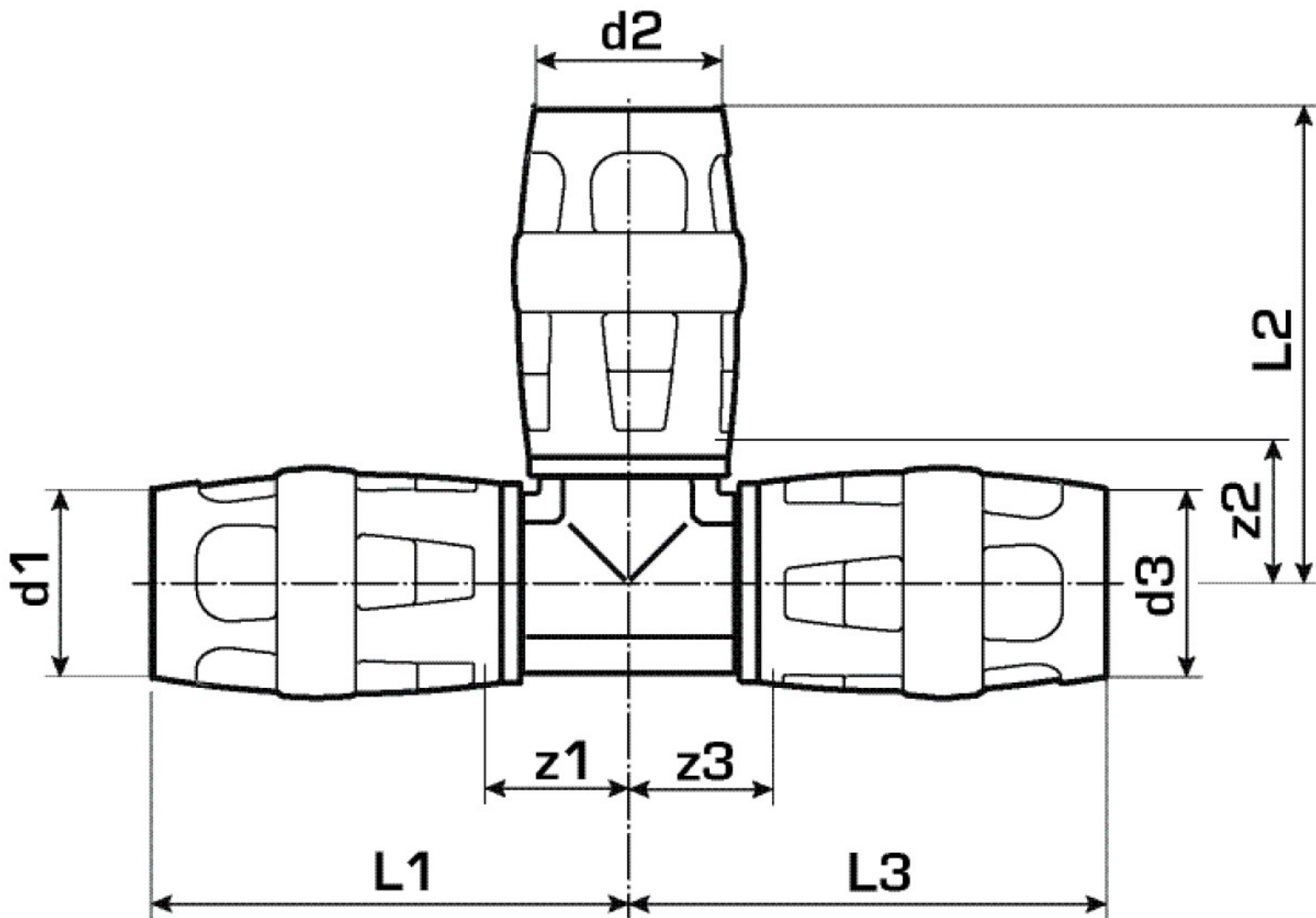
port 1	Plug-in
port 2	Plug-in
port 3	Plug-in
execution	Tee piece
angle	90 °

Technical properties

maximum working pressure at 20 ° C	10 bar
------------------------------------	--------

Product information

VPE1	10,00 SA1
VPE2	80,00 KT1
weight	0,046 KGM
text	KELOX-PROTEC CLIX PPSU tee
INTRNR	39174000
main material group	KELOX
material group	KELOX-PROtec-PPSU pushfittings
code	KWP440X



Art. No	label	d1 mm	d2 mm	d3 mm	L1 mm	L2 mm	L3 mm	z1 mm	z2 mm	z3 mm
730610DE	20/16/20	20	16	20	49	51	49	17	19	17