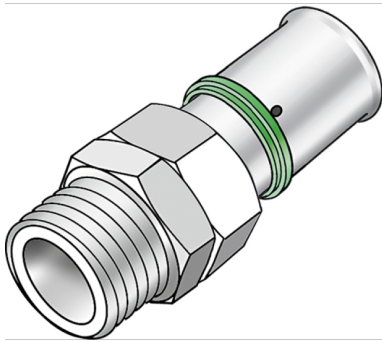


# STEELOX

## SMX451 ?STEELOX union with male thread 20x3/4"

57241D04

### Areas of application



STEELOX press-fit union with male thread made from stainless steel, thread as per ÖNORM EN 10226,

for connecting to fittings made of non-porous metallised brass (DZR); incl. push-on sleeves with O-rings and stainless steel press-fit sleeves "leak before pressed", flat-sealing including seal

## Approvals:



# Specifications

## Article information

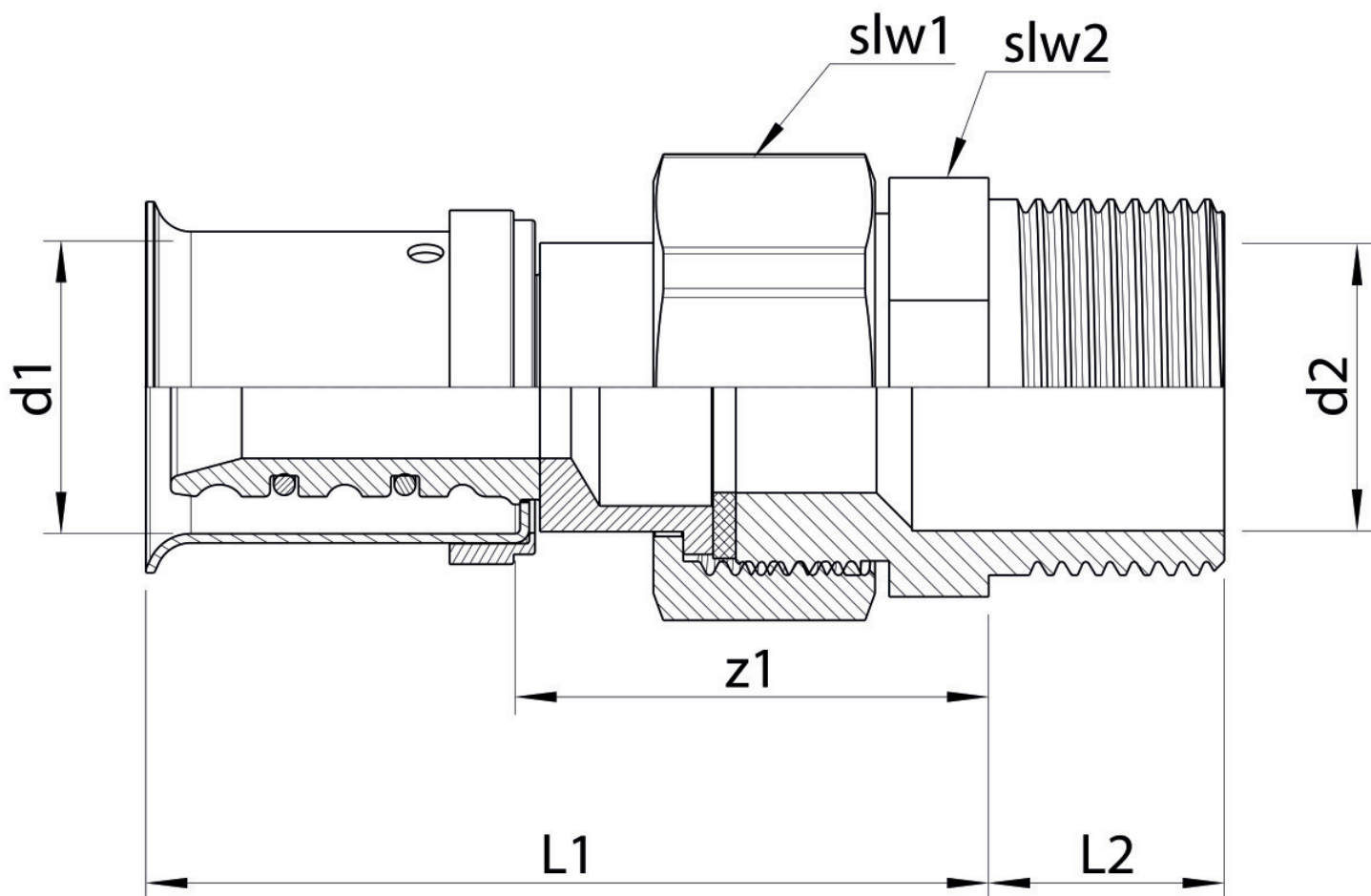
|               |                            |
|---------------|----------------------------|
| port 1        | Pressmuffe                 |
| port 2        | Außengewinde konisch (NPT) |
| execution     | 2-teilig                   |
| design        | straight                   |
| press contour | U                          |

## Technical properties

|                                    |        |
|------------------------------------|--------|
| maximum working pressure at 20 ° C | 10 bar |
|------------------------------------|--------|

## Product information

|        |                                 |
|--------|---------------------------------|
| VPE1   | 10,00 SA1                       |
| VPE2   | 200,00 KT1                      |
| weight | 0,077 KGM                       |
| text   | ?STEELOX union with male thread |
| INTRNR | 74122000                        |
| code   | SMX451                          |



| Art. No  | label   | d2               | d1 mm | L1 mm | L2 mm | z1 mm | slw1 mm | slw2 mm |
|----------|---------|------------------|-------|-------|-------|-------|---------|---------|
| 57241D04 | 20x3/4" | 3/4 Zoll<br>(20) | 20    | 60    | 17    | 34    | 30      | 30      |