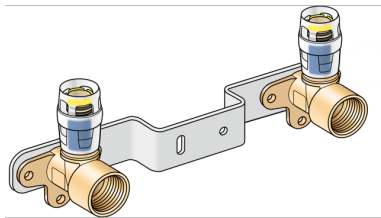


KELOX

KMP485KX KELOX-PROTEC CLIX connection set 2.5cm 16x1/2" 15cm

730292B02

Areas of application



With KMP480X plug-in wall bracket fittings with female thread, made of dezincification-resistant brass (DZR), incl. push-on sleeve made of transparent polyamide, O-rings, withdrawal barriers and a protector ring as an insertion locking device

Overall height:

DO NOT screw in any threaded pipes and cast iron fittings!

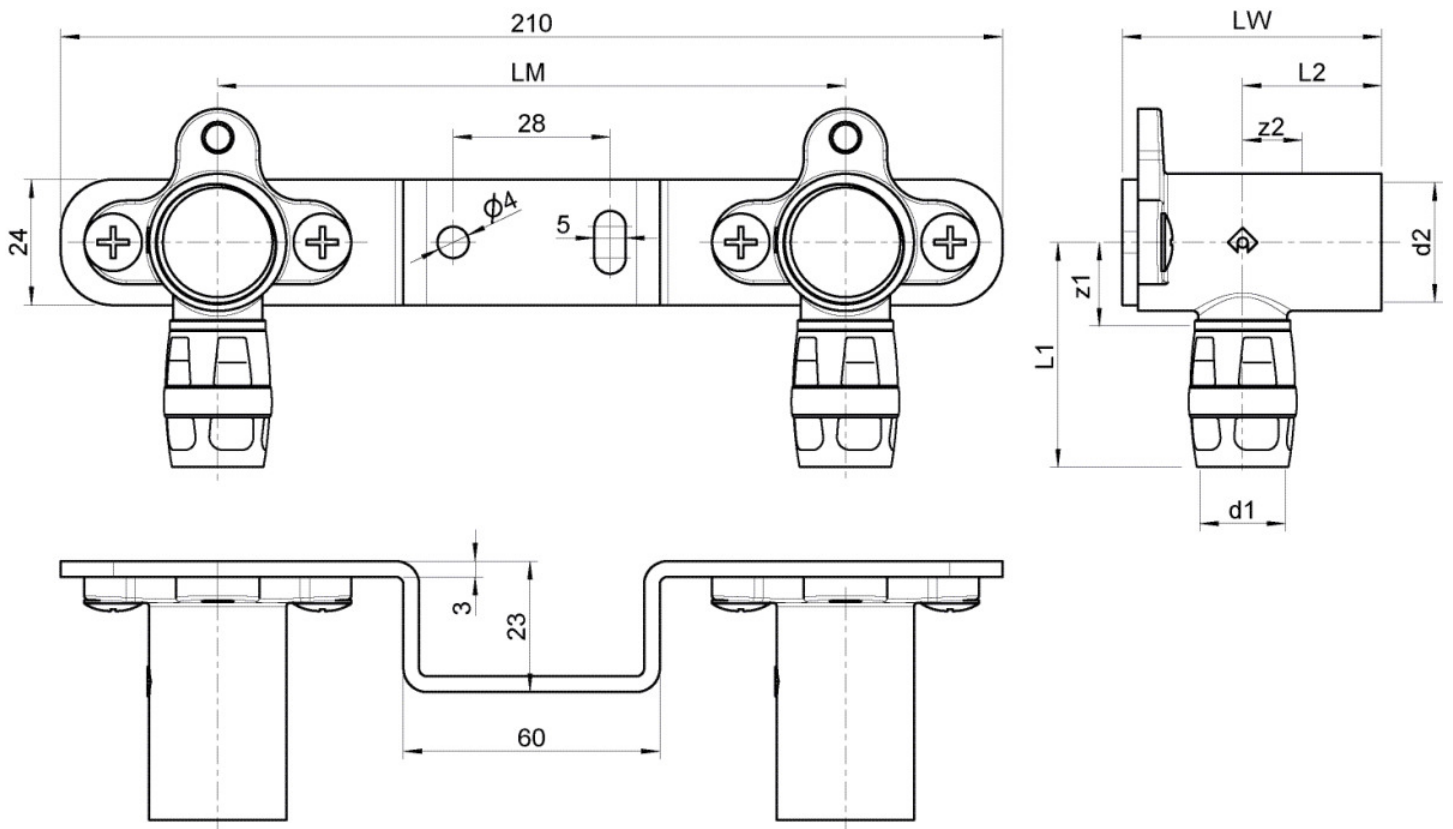
Approvals:



Specifications

Product information

| | |
|---------------------|--|
| VPE1 | 10,00 KT1 |
| weight | 0,715 KGM |
| text | KELOX-PROTEC CLIX connection set 2.5cm |
| INTRNR | 74122000 |
| main material group | KELOX |
| material group | KELOX-PROtec pushfittings |
| code | KMP485KX |



| Art. No | label | d1 mm |
|-----------|--------------|-------|
| 730292B02 | 16x1/2" 15cm | 16 |



KE KELIT GmbH

A 4020 Linz, Ignaz-Mayer-Straße 17, Austria, Europe

PHONE +43 (0) 50 779 **E-MAIL** office@kekelit.com

www.kekelit.com