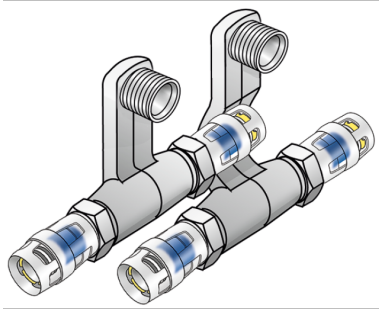


KELOX

KMP435 KELOX-PROTEC SL connection set M18x25

73155E00

Areas of application



Skirting board radiator connecting set with PROTEC press-fit adapters; made of non-porous metallised brass, incl. push-on sleeve made of transparent polyamide with O-rings, withdrawal barriers and a protector ring as an insertion locking device with 1/2" male thread radiator connections

Approvals:



KE KELIT GmbH

A 4020 Linz, Ignaz-Mayer-Straße 17, Austria, Europe

PHONE +43 (0) 50 779 E-MAIL office@kekelit.com

www.kekelit.com

Specifications

Article information

port 1	Plug-in sleeve
port 2	Plug-in sleeve
execution	Miscellaneous

Product information

weight	0,045 KGM
text	KELOX-PROTEC SL connection set
INTRNR	74122000
main material group	KELOX
material group	KELOX-PROtec pushfittings
code	KMP435



Art. No	label	d5 Inches	d6 Inches	z1 mm	z4 mm	h mm
73155E00	M18x25	1/2" (15)	1/2" (15)	10	10	95