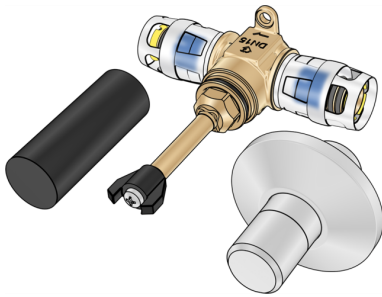


KELOX

KMP452UV KELOX PROTEC flush-mounted valve 20-DN15

73234DD0

Areas of application



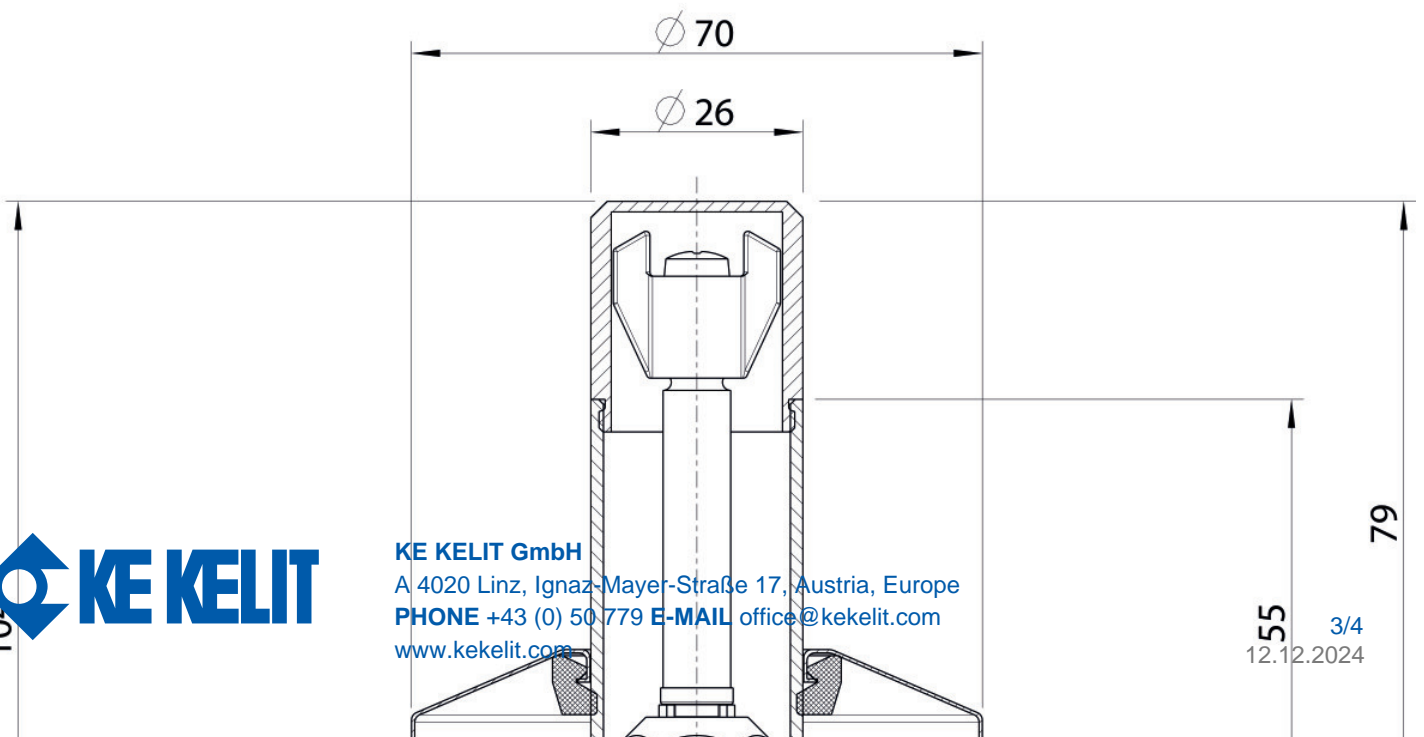
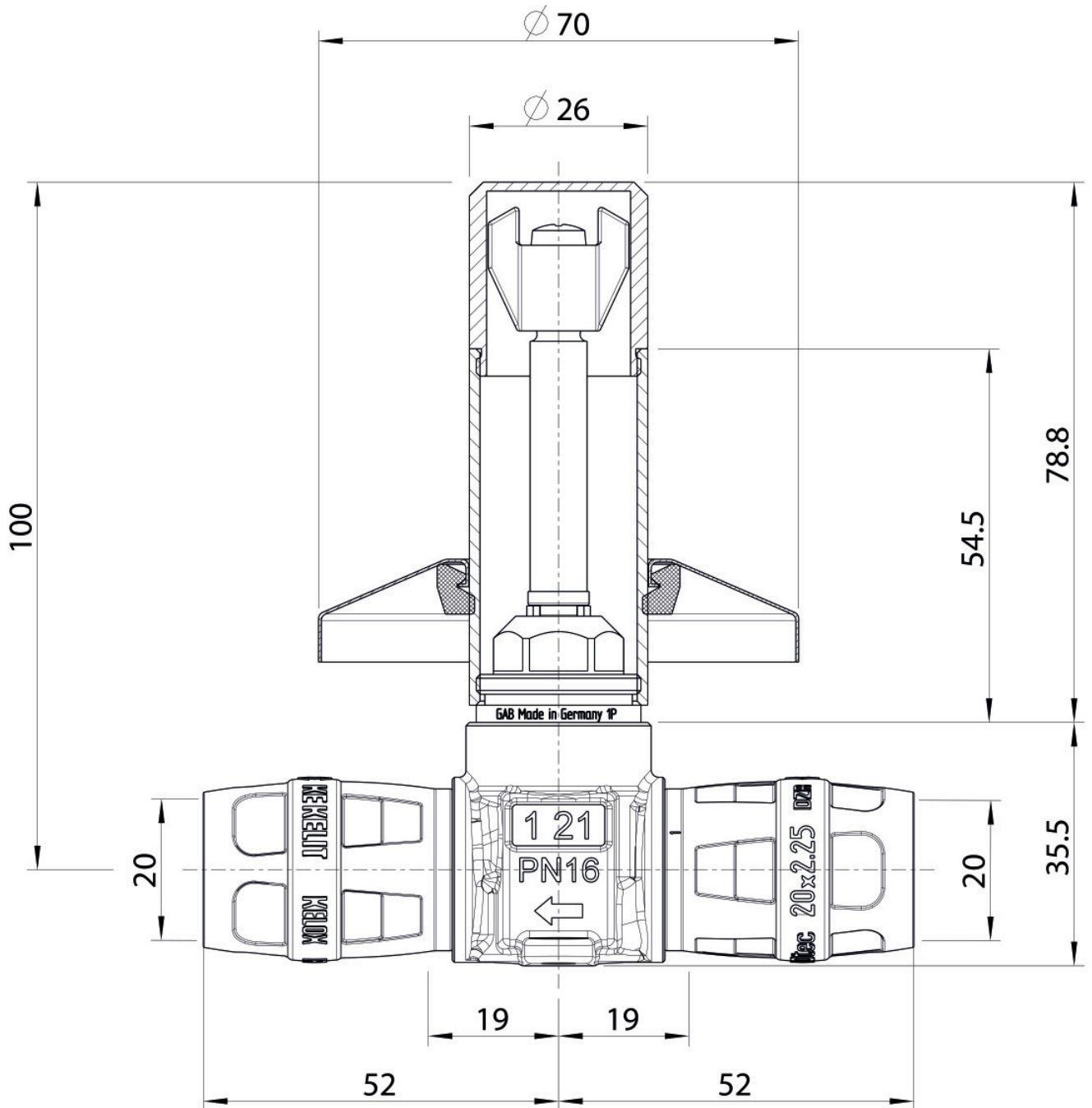
Flush-mounted valve with PROTEC plug-in coupling, flow-optimised valve housing made from red brass PN16, incl. top part free of dead space, chrome-plated end cap, rosette and protection cap

Approvals:



Specifications

Product information	
VPE1	1,00 SA1
VPE2	10,00 KT1
weight	0,399 KGM
text	KELOX PROTEC flush-mounted valve
INTRNR	74122000
main material group	KELOX
material group	KELOX-PROtec pushfittings
code	KMP452UV



Art. No	label
73234DD0	20-DN15



KE KELIT GmbH

A 4020 Linz, Ignaz-Mayer-Straße 17, Austria, Europe

PHONE +43 (0) 50 779 **E-MAIL** office@kekelit.com

www.kekelit.com