

# KELOX

## KMP489 KELOX-PROTEC - STEELFIX adapter 16/18

73272CB0

### Areas of application



?Press/push-in adapter, straight, from Steelfix, Copperfix pipe size to KELOX-PROTEC push-in sleeve made of red brass, incl. push-on sleeve made of transparent polyamide, O-rings, withdrawal barriers and a protector ring as an insertion locking device

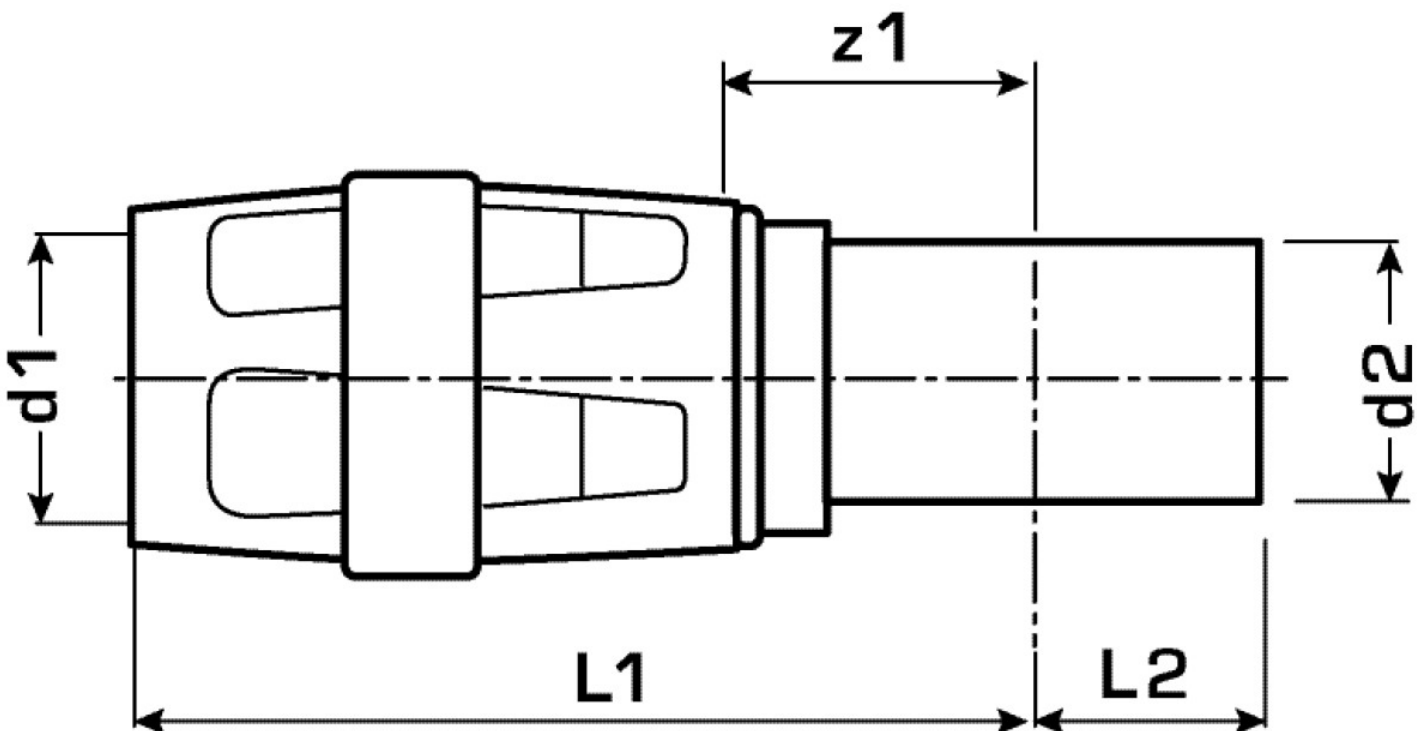
ATTENTION! Connection to pipe end only suitable as a compression fitting or press-fit connection!

## Approvals:



# Specifications

Product information	
VPE1	10,00 SA1
VPE2	160,00 KT1
weight	0,040 KGM
text	KELOX-PROTEC - STEELFIX adapter
INTRNR	74122000
main material group	KELOX
material group	KELOX-PROtec pushfittings
code	KMP489



Art. No	label
73272CB0	16/18



**KE KELIT GmbH**

A 4020 Linz, Ignaz-Mayer-Straße 17, Austria, Europe

**PHONE** +43 (0) 50 779 **E-MAIL** [office@kekelit.com](mailto:office@kekelit.com)

[www.kekelit.com](http://www.kekelit.com)