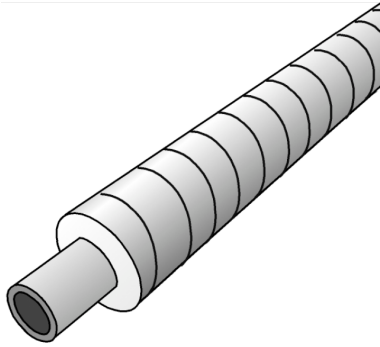


# CF1000 STEELFIX-CX carbon steel pipe 35x1.5

3000120

## Areas of application



Pre-insulated carbon steel piping system

Medium pipe: Thin-walled, longitudinally welded stainless steel pipes according to EN 10305-3 with a particularly low carbon content and with the outside protected by a thermally applied zinc layer and a passivating/chromium layer

Area of application: closed heating and cooling circuits

Operating temperature: - 35°C to 120°C/16 bar - tmax 150°C - short-term

Insulation: PUR rigid foam, jacket pipe: 0.6 mm galvanised folded spiral sheet metal

Length: 6m

# Specifications

| Product information        |   |
|----------------------------|---|
| <b>casing DA</b>           | 80  |
| <b>VPE1</b>                | 6,00 STG                                  |
| <b>L</b>                   | 6 m                                       |
| <b>weight</b>              | 2,960 KGM                                 |
| <b>text</b>                | STEELFIX-CX carbon steel pipe             |
| <b>INTRNR</b>              | 73065080                                  |
| <b>main material group</b> | STEELFIX CX/PE                            |
| <b>material group</b>      | STEELFIX CX/PE C-Stahl pipes and fittings |
| <b>code</b>                | CF1000                                    |

| Art. No | label  |
|---------|--------|
| 3000120 | 35x1.5 |