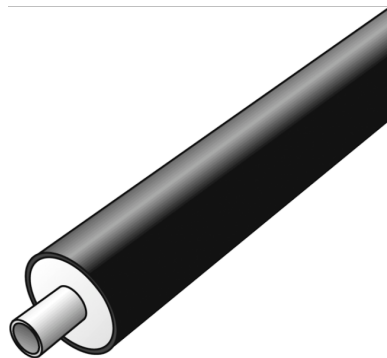


# NF2000 STEELFIX-PE stainless steel pipe 1.4401

3000372

## Areas of application



Pre-insulated stainless steel piping system

Medium pipe: Thin-walled, longitudinally welded stainless steel pipes 1.4401 according to EN 10312 and EN 10217-7 outside and inside bare metallic

Application area: Drinking water installations, service water and rain water, compressed air

Operating temperature: - 35°C to 120°C/16 bar - tmax 150°C - short-term

Insulation: PUR hard foam, jacket pipe: PE-HD

Length: 6m

## Approvals:



**KE KELIT GmbH**

A 4020 Linz, Ignaz-Mayer-Straße 17, Austria, Europe

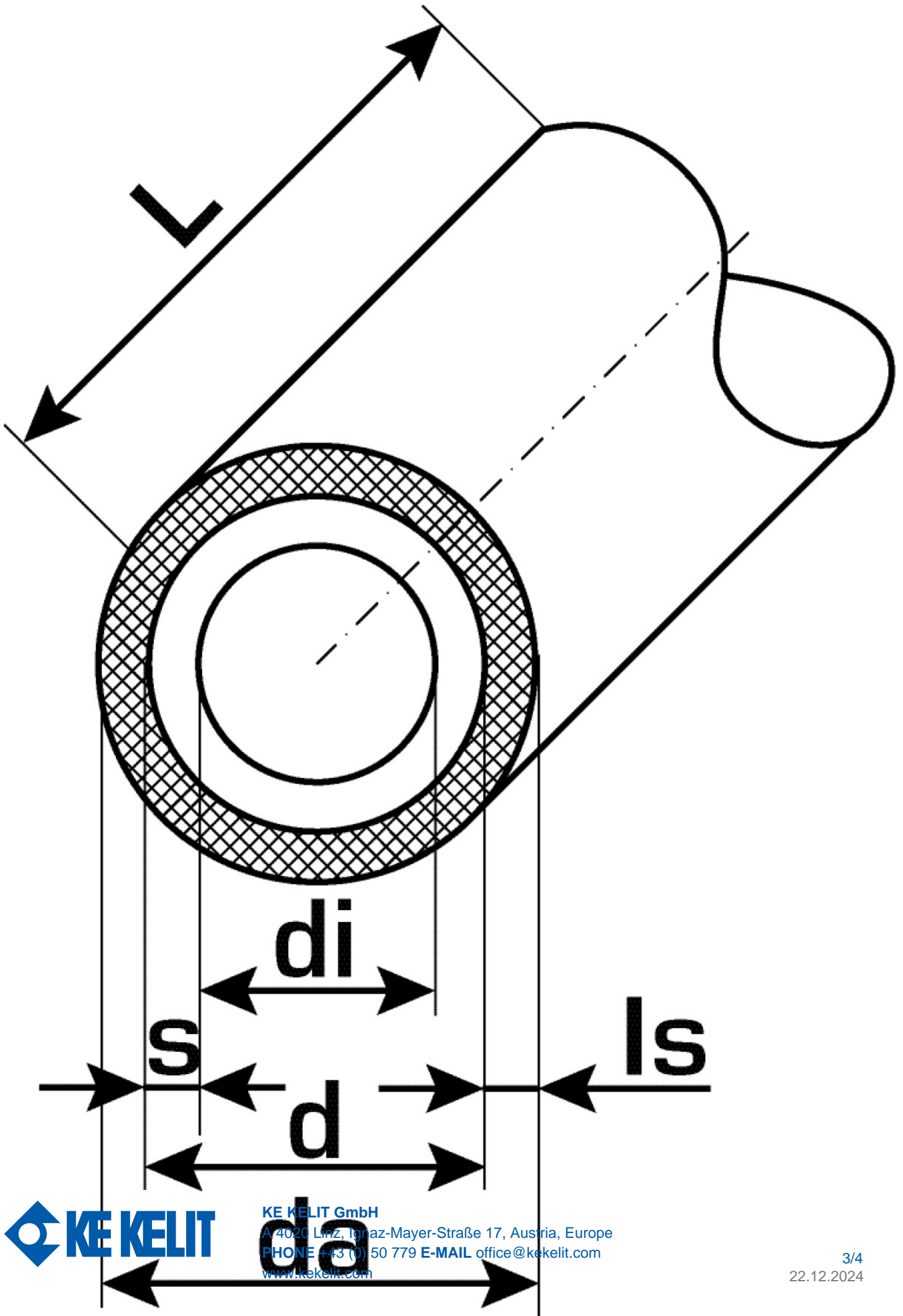
PHONE +43 (0) 50 779 E-MAIL [office@kekelit.com](mailto:office@kekelit.com)

[www.kekelit.com](http://www.kekelit.com)

# Specifications

## Product information

<b>casing DA</b>	125
<b>weight</b>	0,000 KGM
<b>text</b>	STEELFIX-PE stainless steel pipe 1.4401
<b>INTRNR</b>	73064080
<b>main material group</b>	STEELFIX CX/PE
<b>material group</b>	STEELFIX CX/PE stainless steel pipes and fittings
<b>code</b>	NF2000



Art. No

3000372



**KE KELIT GmbH**

A 4020 Linz, Ignaz-Mayer-Straße 17, Austria, Europe

**PHONE** +43 (0) 50 779 **E-MAIL** [office@kekelit.com](mailto:office@kekelit.com)

[www.kekelit.com](http://www.kekelit.com)