

# STEEL FIX EDELSTAHL

NPI410 STEELFIX industrial stainless steel press-fit coupling 15

53300BB0

## Areas of application



Press coupling straight made of stainless steel 1.4301, incl. EPDM sealing elements, d15-54 "leak before pressed"

Press contour: M

ATTENTION: NOT suitable for drinking water!

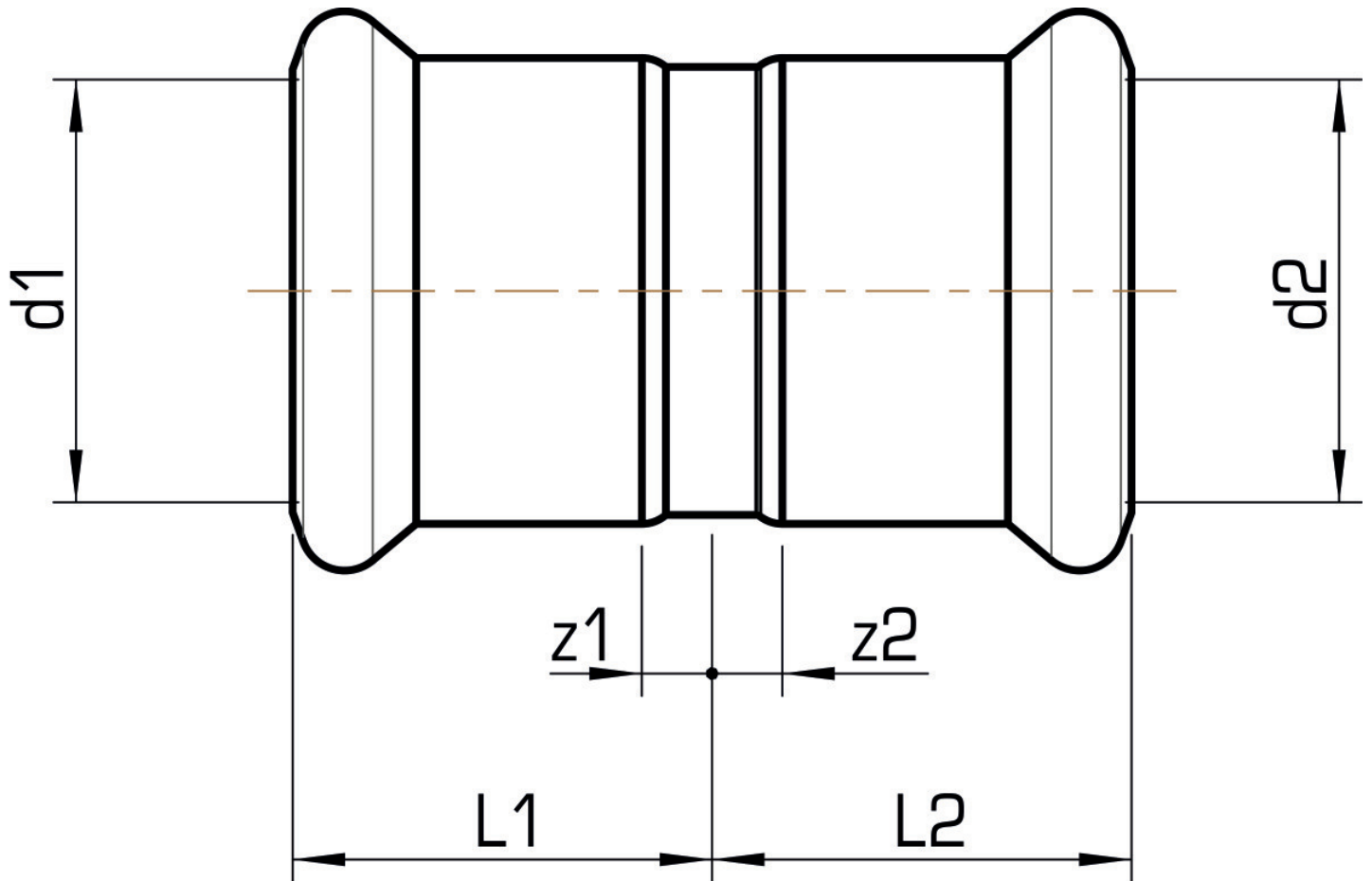
# Specifications

## Article information

|               |            |
|---------------|------------|
| port 1        | Pressmuffe |
| port 2        | Pressmuffe |
| execution     | 1-teilig   |
| design        | gerade     |
| press contour | M          |

## Product information

|        |  |
|--------|--|
| VPE1   | 10,00 SA1  |
| VPE2   | 140,00 KT1   |
| VPE3   | 3500,00 PAL  |
| weight | 0,040 KGM  |
| text   | STEELFIX industrial stainless steel press-fit coupling |
| INTRNR | 73072980   |
| code   | NPI410   |



| Art. No  | label | d1 mm | d2 mm | L1 mm | L2 mm | z1 mm | z2 mm |
|----------|-------|-------|-------|-------|-------|-------|-------|
| 53300BB0 | 15    | 15    | 15    | 25    | 25    | 5     | 5     |