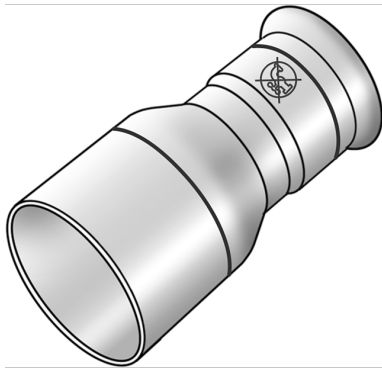


STEEL FIX EDELSTAHL

NPI411 STEELFIX industrial stainless steel press-fit reduction nipple male/female 18/15

53301CB0

Areas of application



Press-fit reducing nipple f/m straight made of stainless steel 1.4301, incl. EPDM sealing elements, d15-54 "leak before pressed"

Press contour: M

ATTENTION: NOT suitable for drinking water!

Specifications

Article information

| | |
|---------------|-----------------|
| port 1 | Pressmuffe |
| port 2 | Zapfen/Rohrende |
| execution | 1-teilig |
| design | gerade |
| press contour | M |

Product information

| | |
|--------|--|
| VPE1 | 10,00 SA1 |
| VPE2 | 200,00 KT1 |
| VPE3 | 5000,00 PAL |
| weight | 0,040 KGM |
| text | STEELFIX industrial stainless steel press-fit reduction nipple male/female |
| INTRNR | 73072980 |
| code | NPI411 |



KE KELIT GmbH

A 4020 Linz, Ignaz-Mayer-Straße 17, Austria, Europe

PHONE +43 (0) 50 779 **E-MAIL** office@kekelit.com

www.kekelit.com



| Art. No | label | d1 mm | d2 mm | L1 mm | L2 mm | z1 mm | z2 mm |
|----------|-------|-------|-------|-------|-------|-------|-------|
| 53301CB0 | 18/15 | 15 | 18 | 29 | 26 | 9 | 0,5 |