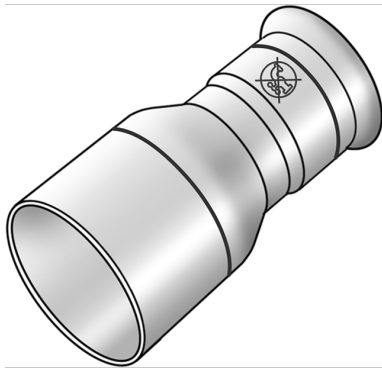


# STEEL FIX EDELSTAHL

NPI411 STEELFIX industrial stainless steel press-fit reduction nipple male/female 54/42

53301HG0

## Areas of application



Press-fit reducing nipple f/m straight made of stainless steel 1.4301, incl. EPDM sealing elements, d15-54 "leak before pressed"

Press contour: M

ATTENTION: NOT suitable for drinking water!

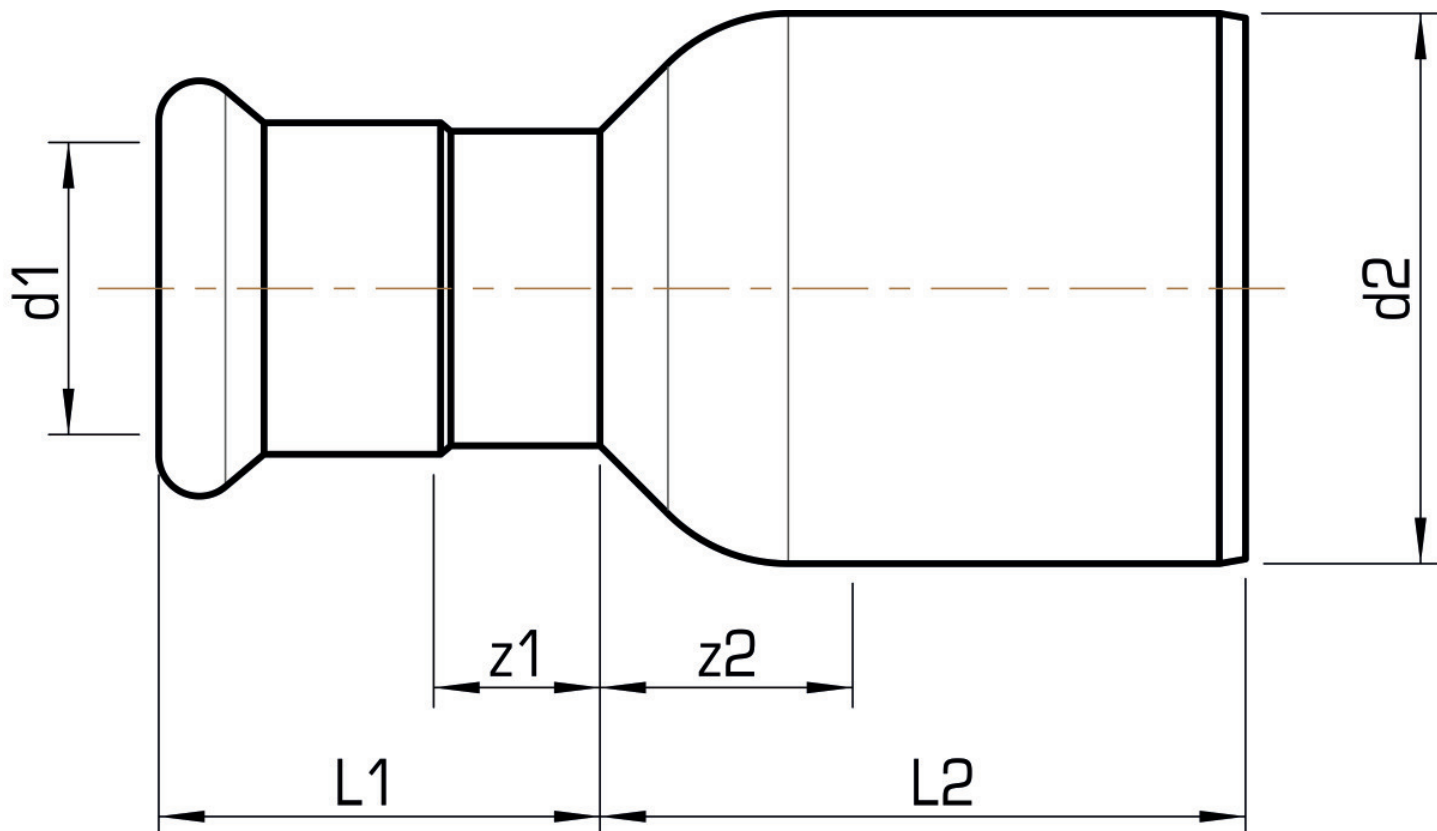
# Specifications

## Article information

<b>port 1</b>	Pressmuffe
<b>port 2</b>	Zapfen/Rohrende
<b>execution</b>	1-teilig
<b>design</b>	gerade
<b>press contour</b>	M

## Product information

<b>VPE1</b>	4,00 SA1
<b>VPE2</b>	16,00 KT1
<b>VPE3</b>	400,00 PAL
<b>weight</b>	0,170 KGM
<b>text</b>	STEELFIX industrial stainless steel press-fit reduction nipple male/female
<b>INTRNR</b>	73072980
<b>code</b>	NPI411



Art. No	label	d1 mm	d2 mm	L1 mm	L2 mm	z1 mm	z2 mm
53301HG0	54/42	42	54	42	53	12	13