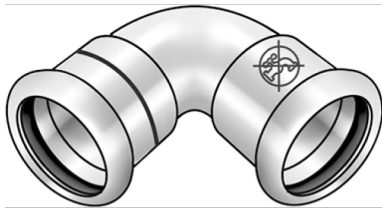


# STEEL FIX EDELSTAHL

NPI420 STEELFIX industrial stainless steel press-fit elbow 90° 76,1

53315JJ0

## Areas of application



Press-elbow 90° stainless steel 1.4301, incl. EPDM sealing elements, d15-54 "leak before pressed"

Press contour: M

ATTENTION: NOT suitable for drinking water!

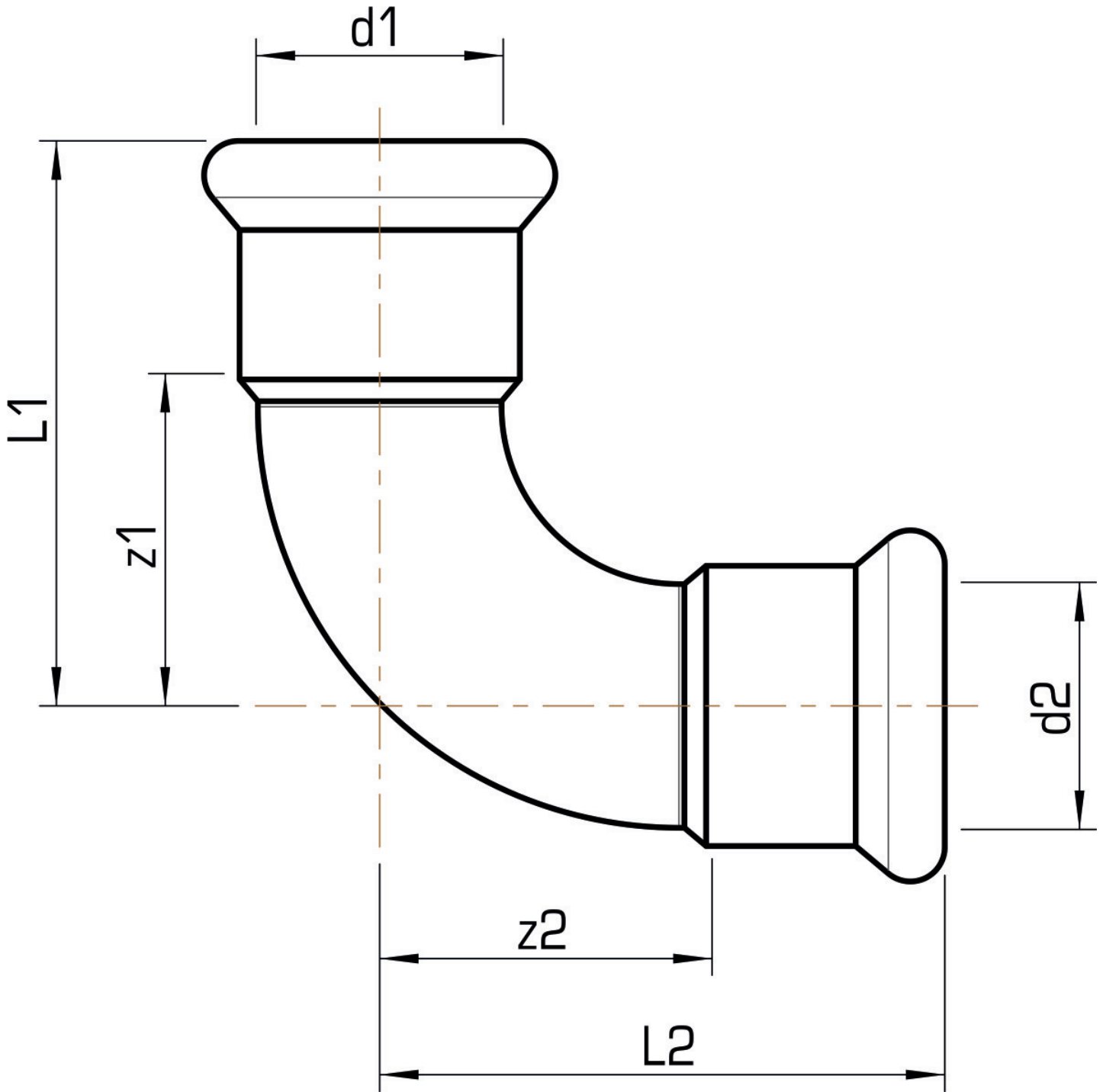
# Specifications

## Article information

|               |            |
|---------------|------------|
| port 1        | Pressmuffe |
| port 2        | Pressmuffe |
| execution     | 1-teilig   |
| design        | Bogen      |
| angle         | 90 °       |
| press contour | M          |

## Product information

|        |   |
|--------|---|
| VPE1   | 2,00 SA1  |
| VPE2   | 12,00 KT1   |
| weight | 0,980 KGM   |
| text   | STEELFIX industrial stainless steel press-fit elbow 90° |
| INTRNR | 73072980  |
| code   | NPI420  |



| Art. No  | label | d1 mm | d2 mm | L1 mm | L2 mm | z1 mm | z2 mm |
|----------|-------|-------|-------|-------|-------|-------|-------|
| 53315JJ0 | 76,1  | 76,1  | 76,1  | 150   | 150   | 95    | 95    |