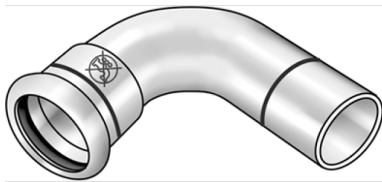


# STEEL FIX EDELSTAHL

NPI421 STEELFIX industrial stainless steel press-fit-elbow 90° male/female 54

53316HH0

## Areas of application



Press-elbow 90° m/f stainless steel 1.4301, incl. EPDM sealing elements, of d15-54 "leak before pressed"

Press contour: M

ATTENTION: NOT suitable for drinking water!

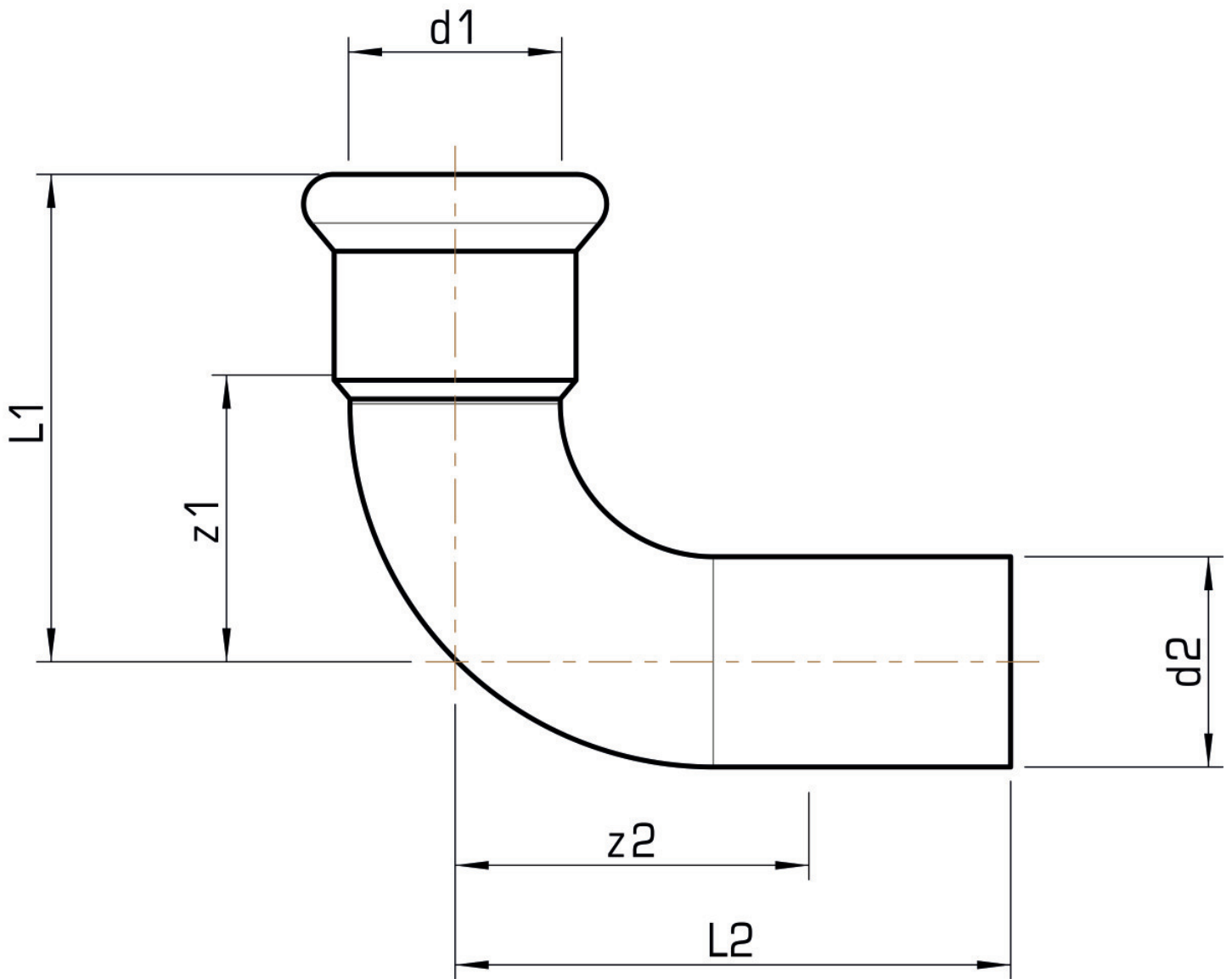
# Specifications

## Article information

port 1	Pressmuffe
port 2	Zapfen/Rohrende
execution	1-teilig
design	Bogen
angle	90 °
press contour	M

## Product information

VPE1	2,00 SA1
VPE2	6,00 KT1
VPE3	150,00 PAL
weight	0,230 KGM
text	STEELFIX industrial stainless steel press-fit-elbow 90° male/female
INTRNR	73072980
code	NPI421



Art. No	label	d1 mm	d2 mm	L1 mm	L2 mm	z1 mm	z2 mm
53316HH0	54	54	54	105	110,5	70	75,5