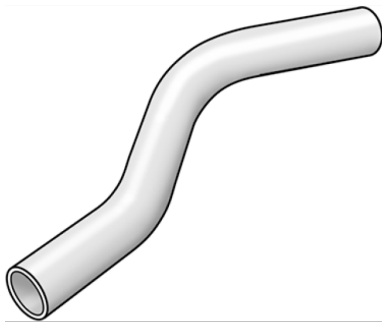


STEEL FIX EDELSTAHL

NPI427 STEELFIX industrial stainless steel press-fit curved pipe male/female 18

53323CC0

Areas of application



Curved pipe for parallel lines m/m made of stainless steel 1.4301

ATTENTION: NOT suitable for drinking water!

Specifications

Article information

| | |
|---------------|-----------------|
| port 1 | Zapfen/Rohrende |
| port 2 | Zapfen/Rohrende |
| execution | 1-teilig |
| design | Versprung |
| press contour | M |

Product information

| | |
|--------|--|
| VPE1 | 10,00 SA1 |
| VPE2 | 60,00 KT1 |
| VPE3 | 1500,00 PAL |
| weight | 0,110 KGM |
| text | STEELFIX industrial stainless steel press-fit curved pipe male/female |
| INTRNR | 73072980 |
| code | NPI427 |

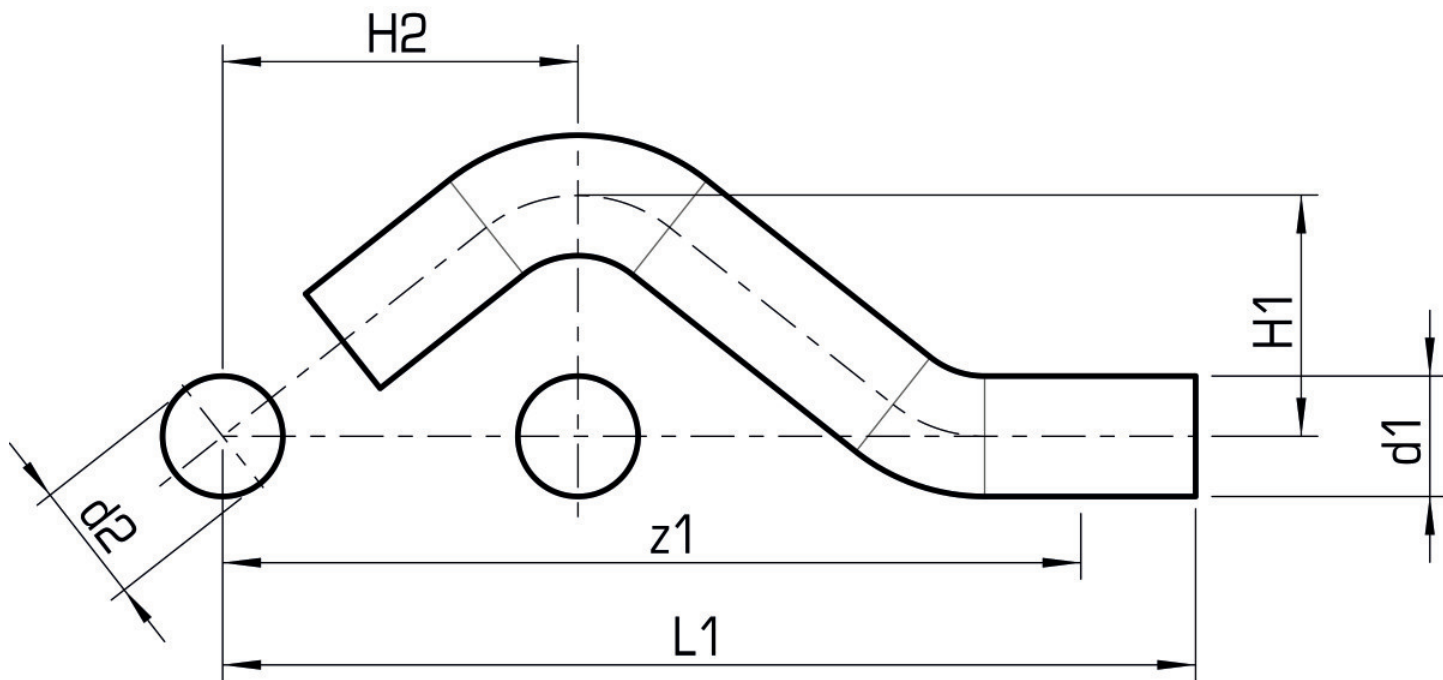


KE KELIT GmbH

A 4020 Linz, Ignaz-Mayer-Straße 17, Austria, Europe

PHONE +43 (0) 50 779 **E-MAIL** office@kekelit.com

www.kekelit.com



| Art. No | label | d1 mm | d2 mm | L1 mm | z1 mm |
|----------|-------|-------|-------|-------|-------|
| 53323CC0 | 18 | 18 | 18 | 165 | 145 |