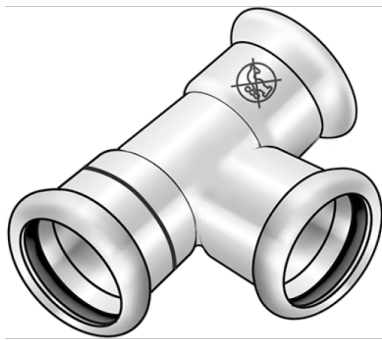


# STEEL FIX EDELSTAHL

NPI440 STEELFIX industrial stainless steel press-fit-tee 28/22/28

53330EDE

## Areas of application



Press-tee equal or reduced made of stainless steel 1.4301, incl. EPDM sealing elements, d15-54  
"leak before pressed"

Press contour: M

ATTENTION: NOT suitable for drinking water!

# Specifications

## Article information

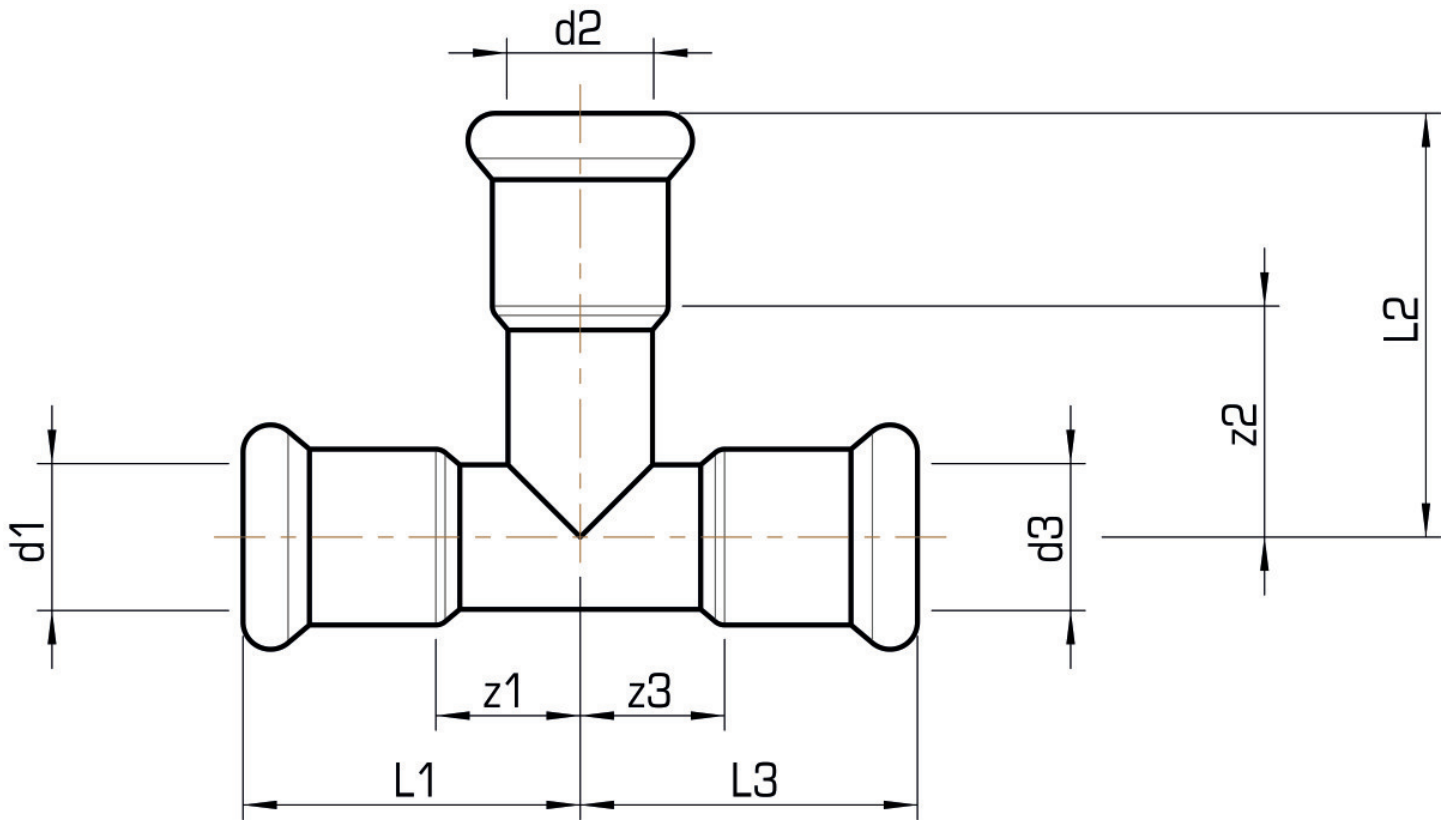
port 1	Pressmuffe
port 2	Pressmuffe
port 3	Pressmuffe
execution	T-Stück
press contour	M

## Technical properties

maximum working pressure at 20 ° C	16 bar
------------------------------------	--------

## Product information

VPE1	5,00 SA1
VPE2	30,00 KT1
VPE3	750,00 DDP
weight	0,140 KGM
text	STEELFIX industrial stainless steel press-fit-tee
INTRNR	73072980
code	NPI440



Art. No	label	d1 mm	d2 mm	d3 mm	L1 mm	L2 mm	L3 mm	z1 mm	z2 mm	z3 mm
53330EDF	28/22/28	28	22	28	44,5	46,5	44,5	21,5	25,5	21,5