

STEEL FIX EDELSTAHL

NPI440 STEELFIX industrial stainless steel press-fit-tee 42/28/42

53330GEG

Areas of application



Press-tee equal or reduced made of stainless steel 1.4301, incl. EPDM sealing elements, d15-54
"leak before pressed"

Press contour: M

ATTENTION: NOT suitable for drinking water!

Specifications

Article information

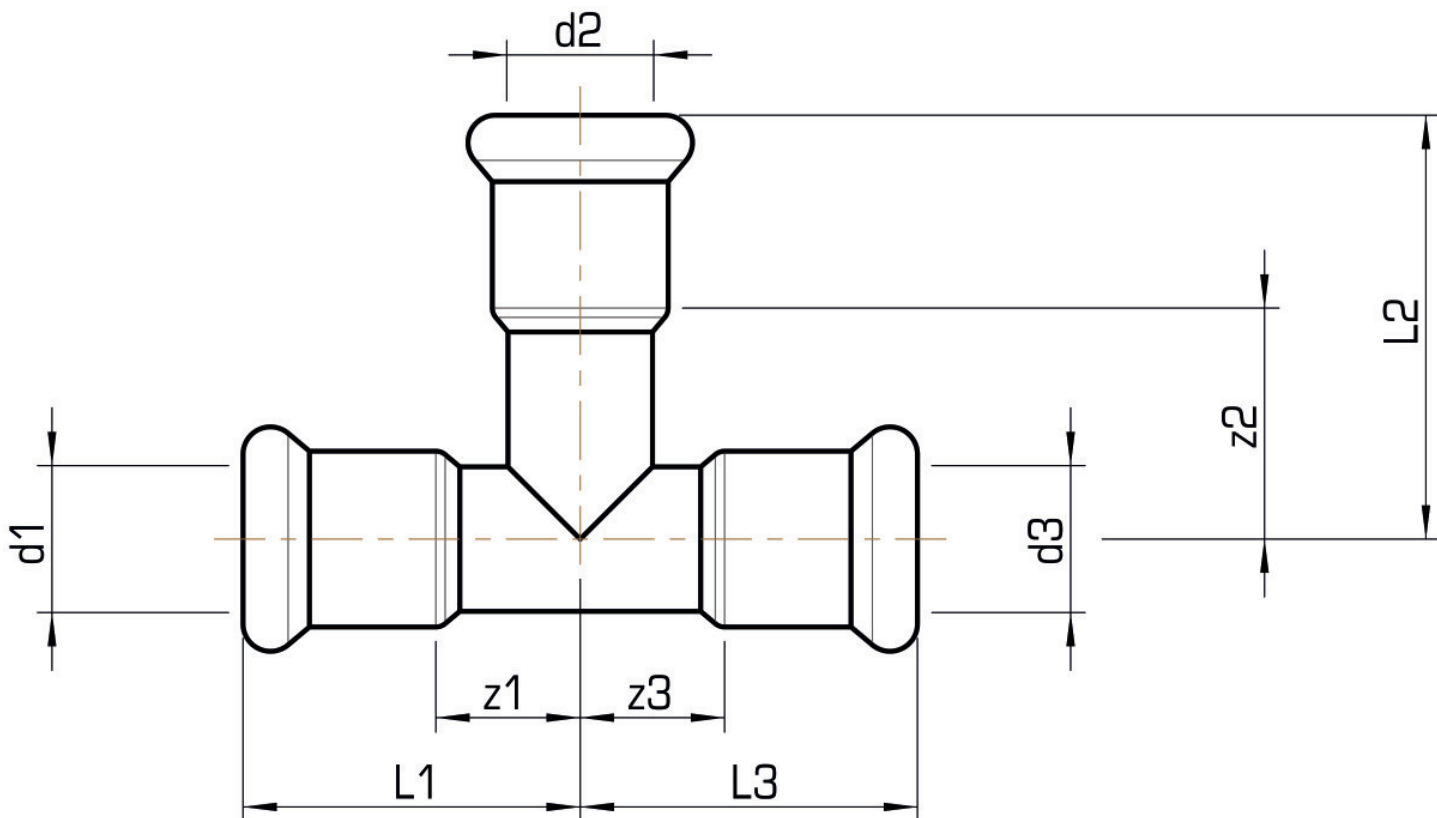
| | |
|---------------|------------|
| port 1 | Pressmuffe |
| port 2 | Pressmuffe |
| port 3 | Pressmuffe |
| execution | T-Stück |
| press contour | M |

Technical properties

| | |
|------------------------------------|--------|
| maximum working pressure at 20 ° C | 16 bar |
|------------------------------------|--------|

Product information

| | |
|--------|---|
| VPE1 | 4,00 SA1 |
| VPE2 | 12,00 KT1 |
| VPE3 | 300,00 PAL |
| weight | 0,250 KGM |
| text | STEELFIX industrial stainless steel press-fit-tee |
| INTRNR | 73072980 |
| code | NPI440 |



| Art. No | label | d1 mm | d2 mm | d3 mm | L1 mm | L2 mm | L3 mm | z1 mm | z2 mm | z3 mm |
|---------|----------|-------|-------|-------|-------|-------|-------|-------|-------|-------|
| 53330GE | 42/28/42 | 42 | 28 | 42 | 60 | 54,5 | 60 | 30 | 31,5 | 30 |