

STEEL FIX EDELSTAHL

NPI447 STEELFIX industrial stainless steel press-fit-tee with branch female 76x2"

53840J09

Areas of application



Press-tee with threaded branch female made of stainless steel 1.4301, incl. EPDM sealing elements, d15-54 "leak before pressed"

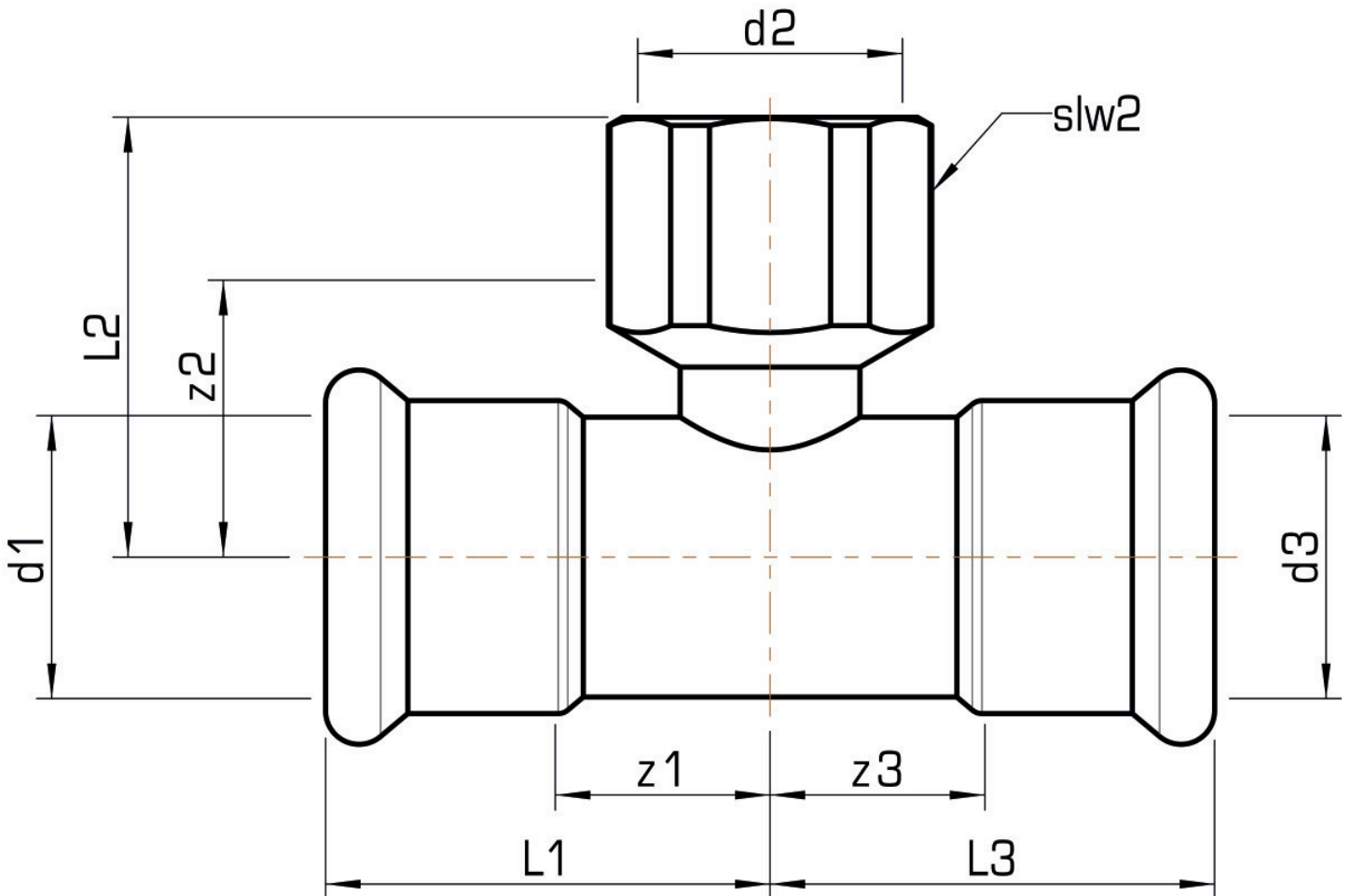
Press contour: M

ATTENTION: NOT suitable for drinking water!

Specifications

Product information

weight	1,51 KGM
text	STEELFIX industrial stainless steel press-fit-tee with branch female
INTRNR	73072980
code	NPI447



Art. No	label
53840J09	76x2"



KE KELIT GmbH
A 4020 Linz, Ignaz-Mayer-Straße 17, Austria, Europe
PHONE +43 (0) 50 779 **E-MAIL** office@kekelit.com
www.kekelit.com