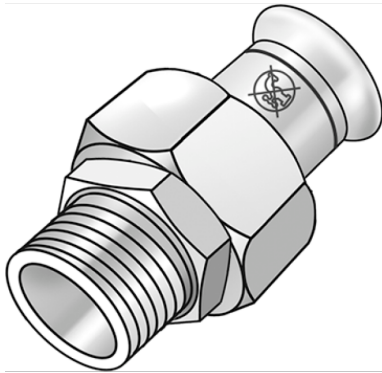


STEEL FIX EDELSTAHL

NPI451 STEELFIX industrial stainless steel press-fit union with male thread 18x1/2"

53841C02

Areas of application



Press-fit union with male thread conforming to EN 10226-1 made of stainless steel 1.4301, incl. EPDM sealing elements, d15-54 "leak before pressed"

Press contour: M

ATTENTION: NOT suitable for drinking water!

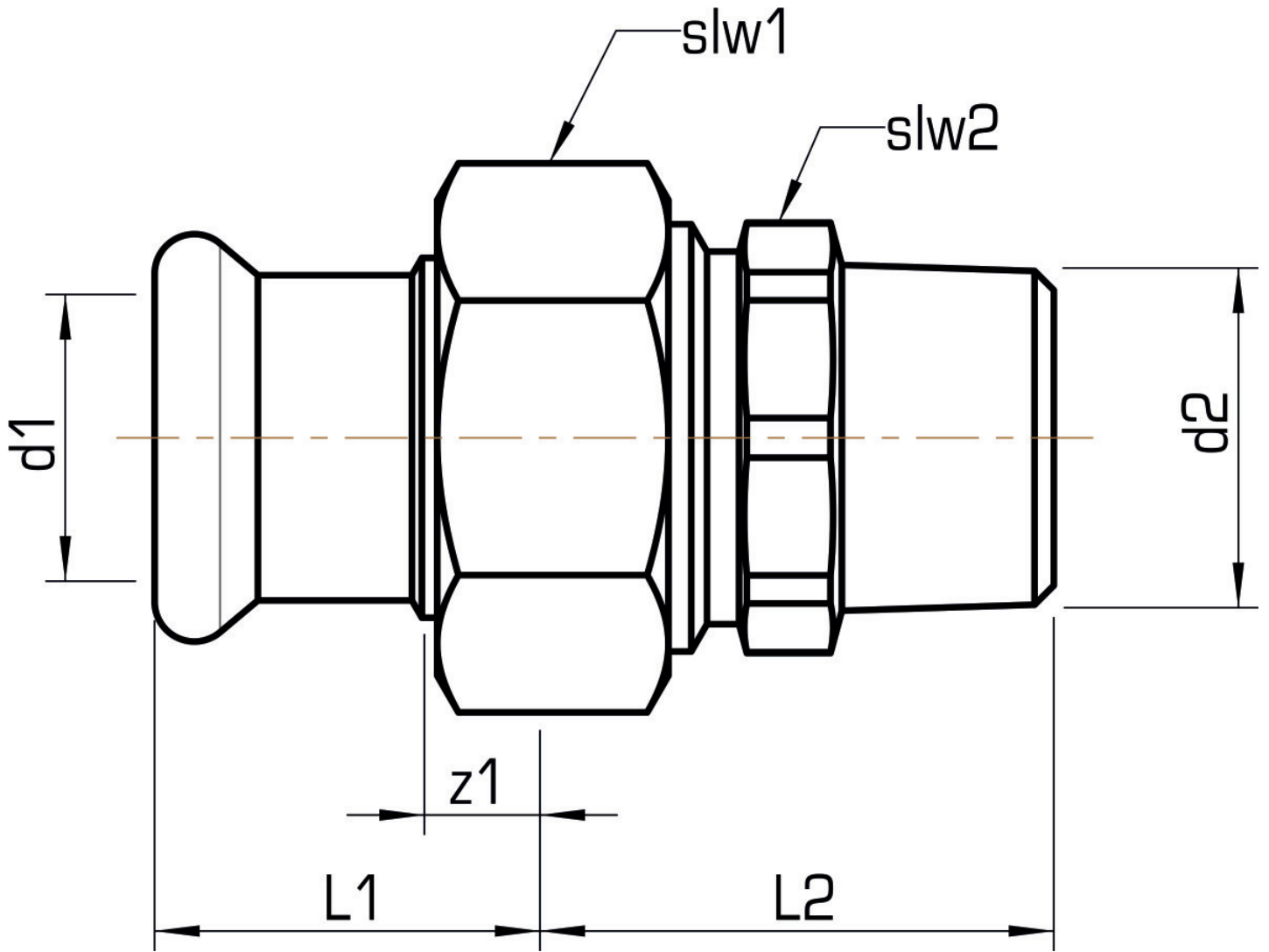
Specifications

Article information

port 1	Pressmuffe
port 2	Außengewinde konisch BSPT-R (ISO 7-1 / EN 10226-1)
execution	1-teilig
design	straight
press contour	M

Product information

VPE1	2,00 SA1
VPE2	50,00 KT1
VPE3	1250,00 DDP
weight	0,054 KGM
text	STEELFIX industrial stainless steel press-fit union with male thread
INTRNR	73072980
code	NPI451



Art. No	label	d2 Zoll	d1 mm	L1 mm	L2 mm	z1 mm	slw1 mm	slw2 mm
53841C02	18x1/2"	1/2 Zoll (15)	18	29	33	9	30	25