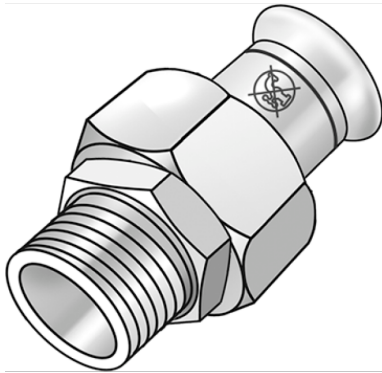


STEEL FIX EDELSTAHL

NPI451 STEELFIX industrial stainless steel press-fit union with male thread 28x1"

53841E05

Areas of application



Press-fit union with male thread conforming to EN 10226-1 made of stainless steel 1.4301, incl. EPDM sealing elements, d15-54 "leak before pressed"

Press contour: M

ATTENTION: NOT suitable for drinking water!

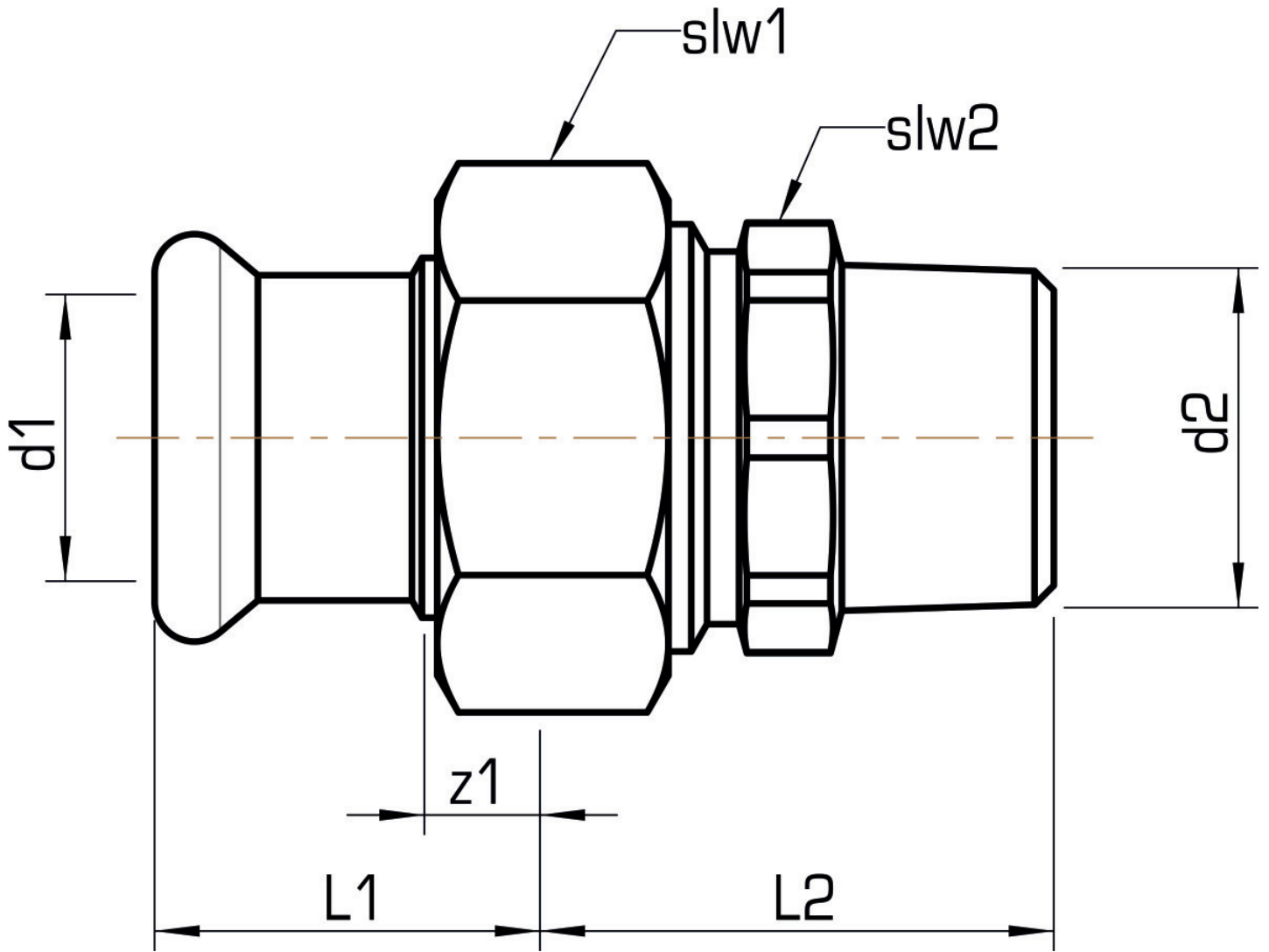
Specifications

Article information

| | |
|----------------------|--|
| port 1 | Pressmuffe |
| port 2 | Außengewinde konisch BSPT-R (ISO 7-1 / EN 10226-1) |
| execution | 1-teilig |
| design | gerade |
| press contour | M |

Product information

| | |
|---------------|--|
| VPE1 | 2,00 SA1 |
| VPE2 | 30,00 KT1 |
| VPE3 | 750,00 PAL |
| weight | 0,380 KGM |
| text | STEELFIX industrial stainless steel press-fit union with male thread |
| INTRNR | 73072980 |
| code | NPI451 |



| Art. No | label | d2 Zoll | d1 mm | L1 mm | L2 mm | z1 mm | slw1 mm | slw2 mm |
|----------|-------|----------------|-------|-------|-------|-------|---------|---------|
| 53841E05 | 28x1" | 1 Zoll (25) | 28 | 31 | 42 | 8 | 46 | 39 |