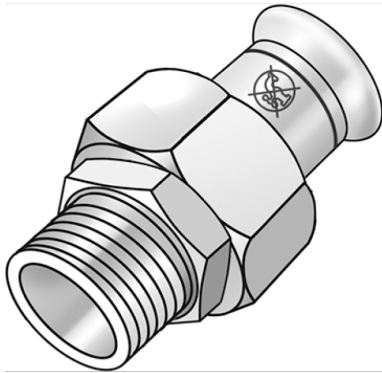


STEEL FIX EDELSTAHL

NPI451 STEELFIX industrial stainless steel press-fit union with male thread 35x5/4"

53841F06

Areas of application



Press-fit union with male thread conforming to EN 10226-1 made of stainless steel 1.4301, incl. EPDM sealing elements, d15-54 "leak before pressed"

Press contour: M

ATTENTION: NOT suitable for drinking water!

Specifications

Article information

port 1	Pressmuffe
port 2	Außengewinde konisch BSPT-R (ISO 7-1 / EN 10226-1)
execution	1-teilig
design	gerade
press contour	M

Product information

VPE1	2,00 SA1
VPE2	16,00 KT1
VPE3	400,00 PAL
weight	0,440 KGM
text	STEELFIX industrial stainless steel press-fit union with male thread
INTRNR	73072980
code	NPI451

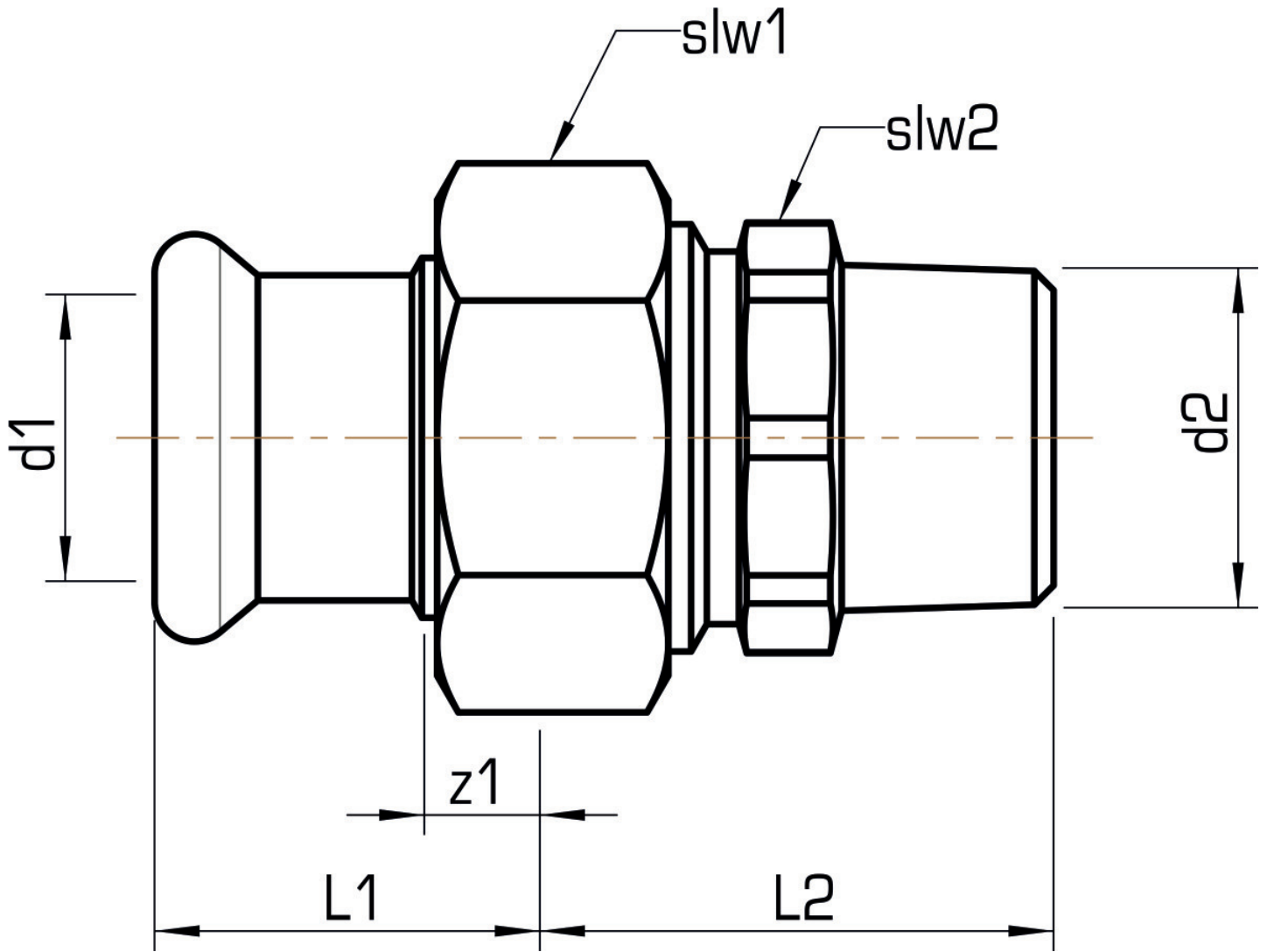


KE KELIT GmbH

A 4020 Linz, Ignaz-Mayer-Straße 17, Austria, Europe

PHONE +43 (0) 50 779 **E-MAIL** office@kekelit.com

www.kekelit.com



Art. No	label	d2 Zoll	d1 mm	L1 mm	L2 mm	z1 mm	slw1 mm	slw2 mm
53841F06	35x5/4"	1 1/4 Zoll (32)	35	34	44	8	52	45