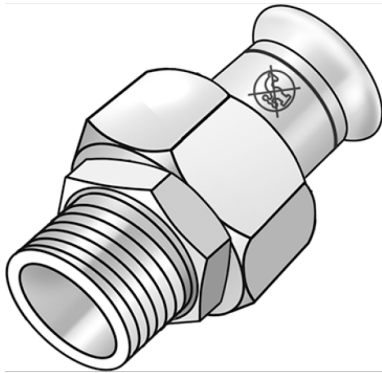


# STEEL FIX EDELSTAHL

NPI451 STEELFIX industrial stainless steel press-fit union with male thread 54x2"

53841H09

## Areas of application



Press-fit union with male thread conforming to EN 10226-1 made of stainless steel 1.4301, incl. EPDM sealing elements, d15-54 "leak before pressed"

Press contour: M

ATTENTION: NOT suitable for drinking water!

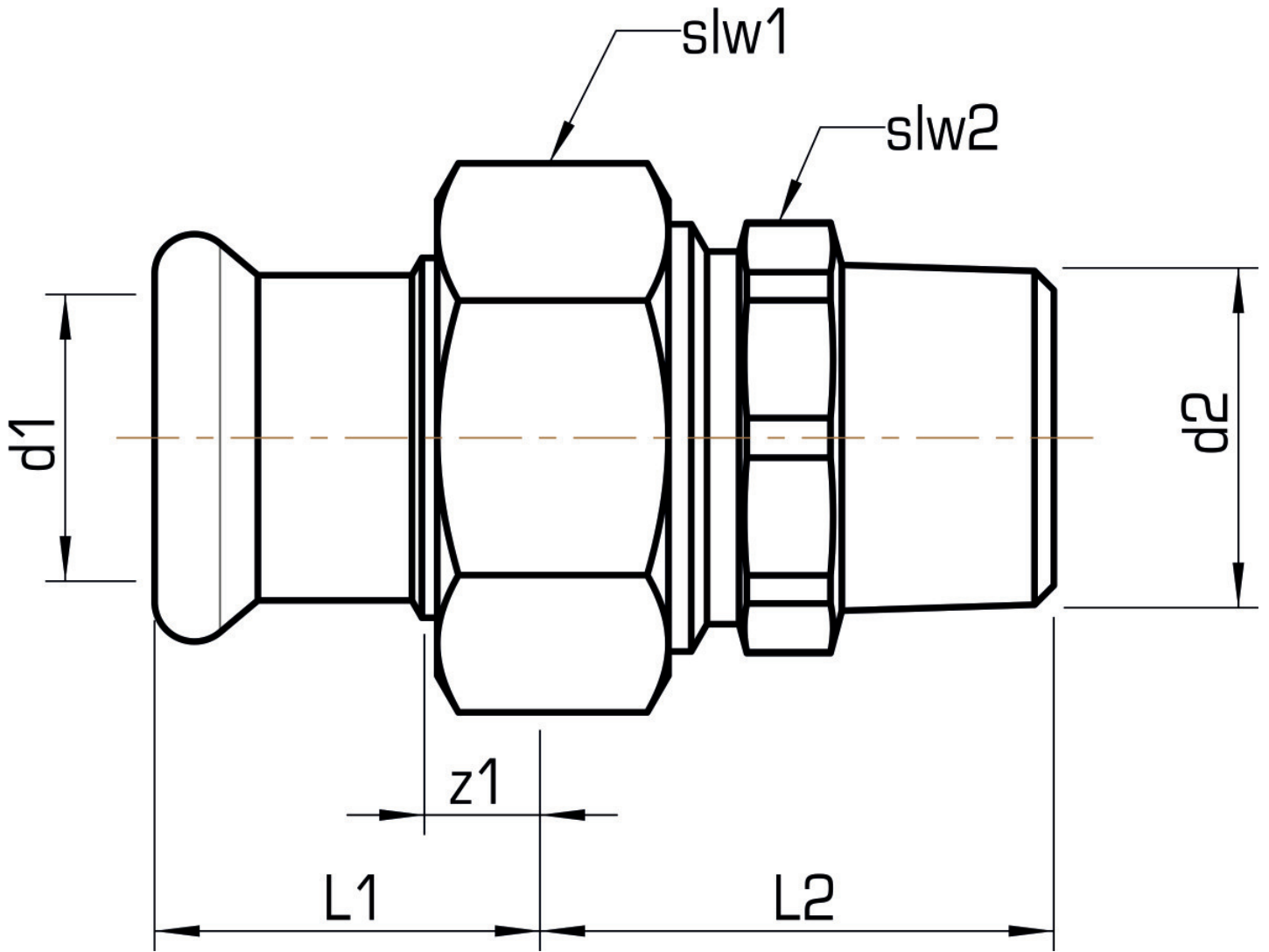
# Specifications

## Article information

<b>port 1</b>	Pressmuffe
<b>port 2</b>	Außengewinde konisch BSPT-R (ISO 7-1 / EN 10226-1)
<b>execution</b>	1-teilig
<b>design</b>	gerade
<b>press contour</b>	M

## Product information

<b>VPE1</b>	2,00 SA1
<b>VPE2</b>	4,00 KT1
<b>VPE3</b>	100,00 PAL
<b>weight</b>	1,050 KGM
<b>text</b>	STEELFIX industrial stainless steel press-fit union with male thread
<b>INTRNR</b>	73072980
<b>code</b>	NPI451



Art. No	label	d2 Zoll	d1 mm	L1 mm	L2 mm	z1 mm	slw1 mm	slw2 mm
53841H09	54x2"	2 Zoll (50)	54	47	53	12	75	65