

# STEEL FIX EDELSTAHL

NPI455 STEELFIX industrial stainless steel press-fit screw fitting with female thread 35x6/4"

53803F07

## Areas of application



Press-adapter female screw union to connect to fittings, made of stainless steel 1.4301, incl. EPDM sealing components, d15-54 "leak before pressed"

Press contour: M

ATTENTION: NOT suitable for drinking water!

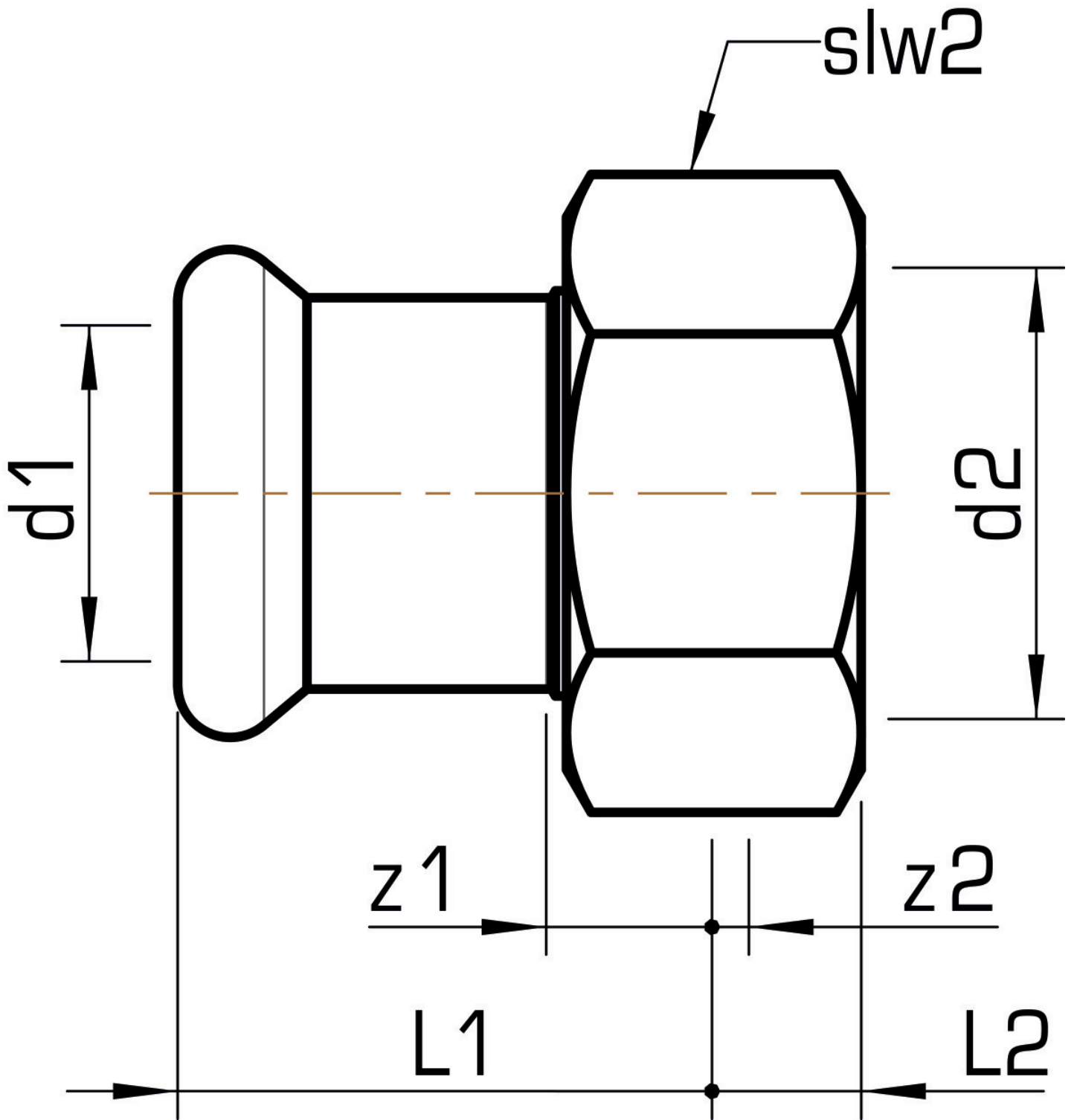
# Specifications

## Article information

port 1	Pressmuffe
port 2	Innengewinde zylindrisch BSPT-Rp (ISO 7-1 / EN 10226-1)
execution	1-teilig
design	gerade
press contour	M

## Product information

VPE1	4,00 SA1
VPE2	32,00 KT1
VPE3	800,00 PAL
weight	0,210 KGM
text	STEELFIX industrial stainless steel press-fit screw fitting with female thread
INTRNR	73072980
code	NPI455



Art. No	label	d2 Zoll	d1 mm	L1 mm	L2 mm	z1 mm	z2 mm	slw2 mm
53803F07	35x6/4"	1 1/2 Zoll (40)	35	29	16	3	5	52



**KE KELIT GmbH**

A 4020 Linz, Ignaz-Mayer-Straße 17, Austria, Europe

**PHONE** +43 (0) 50 779 **E-MAIL** [office@kekelit.com](mailto:office@kekelit.com)

[www.kekelit.com](http://www.kekelit.com)