

STEEL FIX EDELSTAHL

NPI455 STEELFIX industrial stainless steel press-fit screw fitting with female thread 54x2 3/8"

53803H11

Areas of application



Press-adapter female screw union to connect to fittings, made of stainless steel 1.4301, incl. EPDM sealing components, d15-54 "leak before pressed"

Press contour: M

ATTENTION: NOT suitable for drinking water!

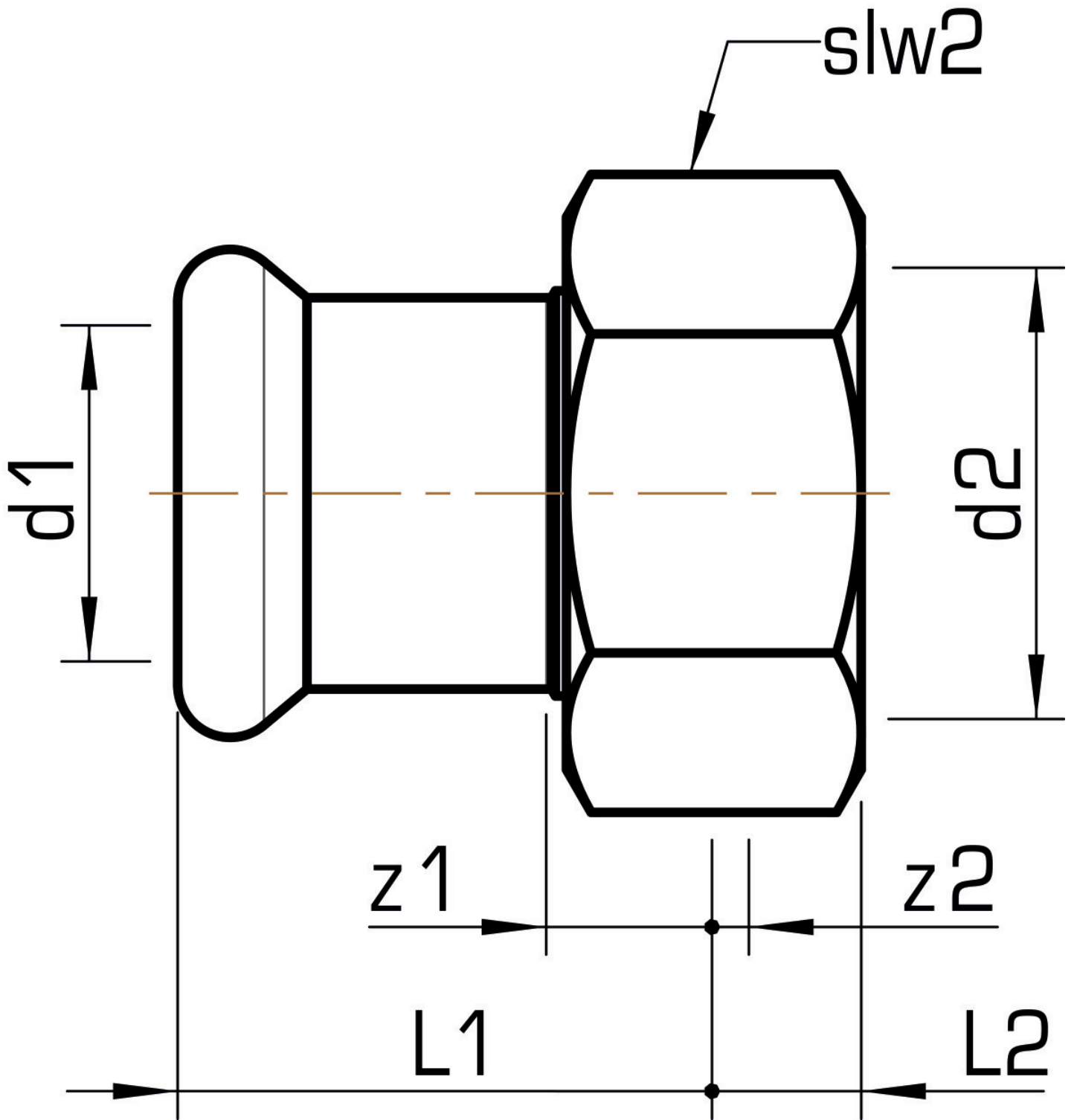
Specifications

Article information

port 1	Pressmuffe
port 2	Innengewinde zylindrisch BSPT-Rp (ISO 7-1 / EN 10226-1)
execution	1-teilig
design	gerade
press contour	M

Product information

VPE1	4,00 SA1
VPE2	8,00 KT1
VPE3	200,00 PAL
weight	0,480 KGM
text	STEELFIX industrial stainless steel press-fit screw fitting with female thread
INTRNR	73072980
code	NPI455



Art. No	label	d2 Zoll	d1 mm	L1 mm	L2 mm	z1 mm	z2 mm	slw2 mm
53803H11	54x2 3/8"	2 3/8 Zoll	54	40,5	18	5,5	6,5	75



KE KELIT GmbH

A 4020 Linz, Ignaz-Mayer-Straße 17, Austria, Europe

PHONE +43 (0) 50 779 **E-MAIL** office@kekelit.com

www.kekelit.com