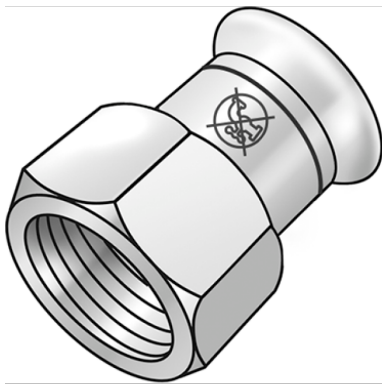


# STEEL FIX EDELSTAHL

NPI457 STEELFIX industrial stainless steel press-fit adapter with female thread 28x1"

53806E05

## Areas of application



Press-adapter with female thread made of stainless steel 1.4301, incl. EPDM sealing elements, d15-54 "leak before pressed"

Press contour: M

ATTENTION: NOT suitable for drinking water!

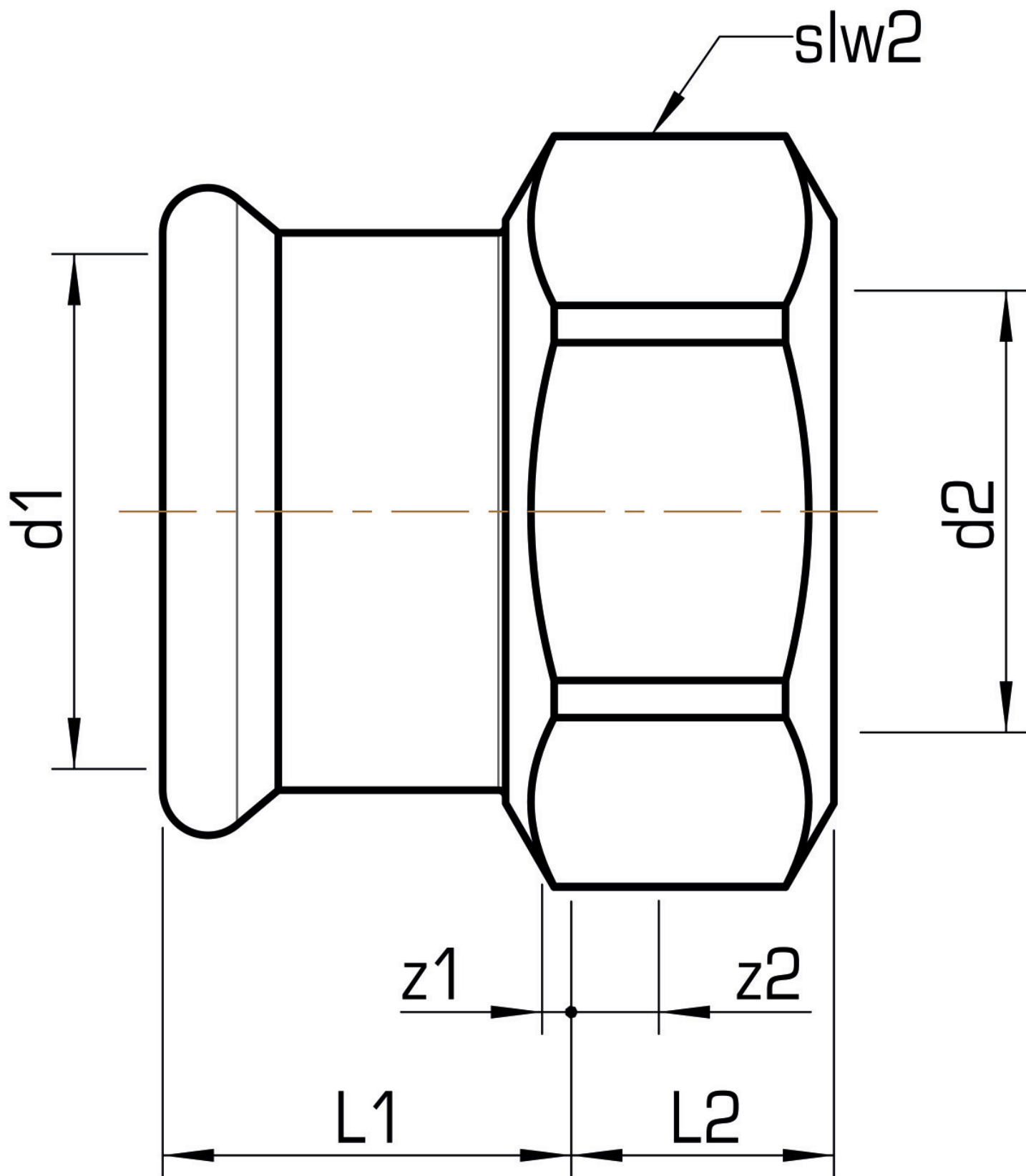
# Specifications

## Article information

|               |   |
|---------------|---|
| port 1        | Pressmuffe  |
| port 2        | Innengewinde zylindrisch BSPT-Rp (ISO 7-1 / EN 10226-1) |
| execution     | 1-teilig  |
| design        | gerade  |
| press contour | M   |

## Product information

|        |  |
|--------|--|
| VPE1   | 10,00 SA1  |
| VPE2   | 40,00 KT1  |
| VPE3   | 1000,00 PAL  |
| weight | 0,160 KGM  |
| text   | STEELFIX industrial stainless steel press-fit adapter with female thread |
| INTRNR | 73072980   |
| code   | NPI457   |



| Art. No  | label | d2 Zoll        | d1 mm | L1 mm | L2 mm | z1 mm | z2 mm | slw2 mm |
|----------|-------|----------------|-------|-------|-------|-------|-------|---------|
| 53806E05 | 28x1" | 1 Zoll<br>(25) | 28    | 25,5  | 19,5  | 2,5   | 6,5   | 38      |



**KE KELIT GmbH**

A 4020 Linz, Ignaz-Mayer-Straße 17, Austria, Europe

**PHONE** +43 (0) 50 779 **E-MAIL** [office@kekelit.com](mailto:office@kekelit.com)

[www.kekelit.com](http://www.kekelit.com)