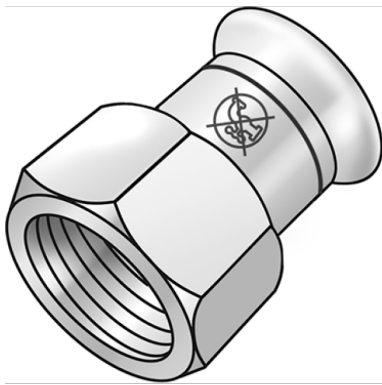


STEEL FIX EDELSTAHL

NPI457 STEELFIX industrial stainless steel press-fit adapter with female thread 35x5/4"

53806F06

Areas of application



Press-adapter with female thread made of stainless steel 1.4301, incl. EPDM sealing elements, d15-54 "leak before pressed"

Press contour: M

ATTENTION: NOT suitable for drinking water!

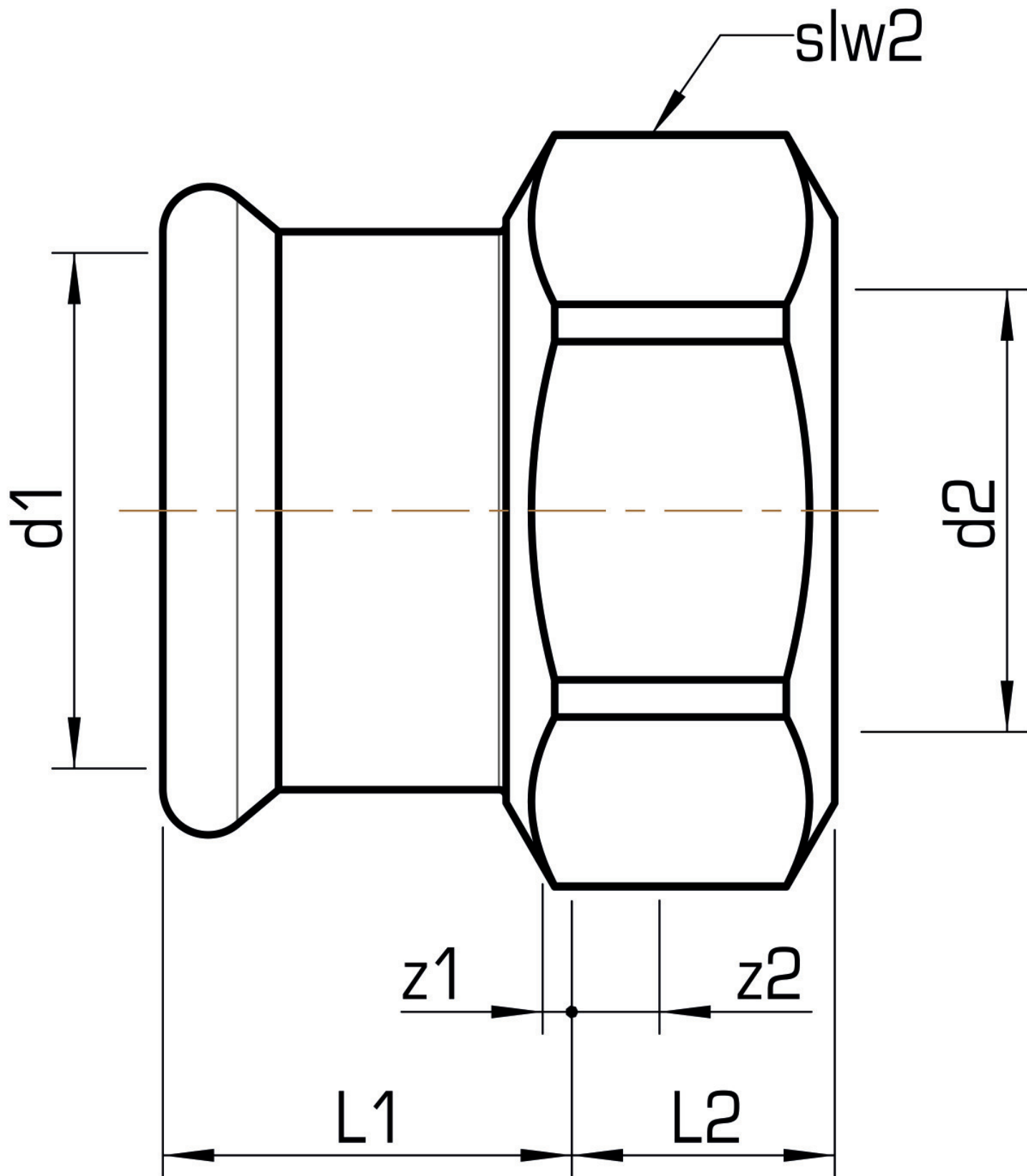
Specifications

Article information

port 1	Pressmuffe
port 2	Innengewinde zylindrisch BSPT-Rp (ISO 7-1 / EN 10226-1)
execution	1-teilig
design	gerade
press contour	M

Product information

VPE1	5,00 SA1
VPE2	20,00 KT1
VPE3	500,00 PAL
weight	0,210 KGM
text	STEELFIX industrial stainless steel press-fit adapter with female thread
INTRNR	73072980
code	NPI457



Art. No	label	d2 Zoll	d1 mm	L1 mm	L2 mm	z1 mm	z2 mm	slw2 mm
53806F06	35x5/4"	1 1/4 Zoll (32)	35	28,5	21,5	2,5	6,5	46



KE KELIT GmbH

A 4020 Linz, Ignaz-Mayer-Straße 17, Austria, Europe

PHONE +43 (0) 50 779 **E-MAIL** office@kekelit.com

www.kekelit.com