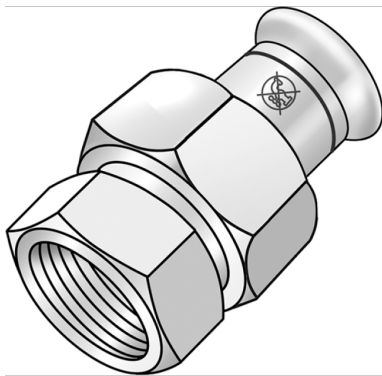


STEEL FIX EDELSTAHL

NPI466 STEELFIX industrial stainless steel press-fit union with female thread 28x1"

53842E05

Areas of application



Press-fit union with female thread conforming to EN 10226-1 made of stainless steel 1.4301, incl. EPDM sealing elements, d15-54 "leak before pressed"

Press contour: M

ATTENTION: NOT suitable for drinking water!

Specifications

Article information

port 1	Pressmuffe
port 2	Innengewinde zylindrisch BSPT-Rp (ISO 7-1 / EN 10226-1)
execution	1-teilig
design	gerade
press contour	M

Product information

VPE1	2,00 SA1
VPE2	26,00 KT1
weight	0,370 KGM
text	STEELFIX industrial stainless steel press-fit union with female thread
INTRNR	73072980
code	NPI466

