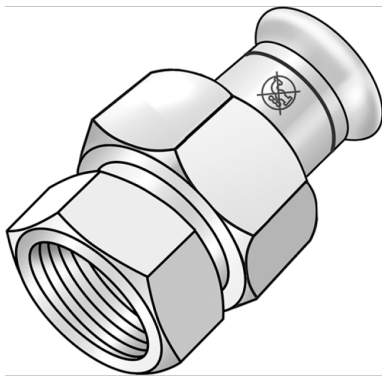


STEEL FIX EDELSTAHL

NPI466 STEELFIX industrial stainless steel press-fit union with female thread 42x6/4"

53842G07

Areas of application



Press-fit union with female thread conforming to EN 10226-1 made of stainless steel 1.4301, incl. EPDM sealing elements, d15-54 "leak before pressed"

Press contour: M

ATTENTION: NOT suitable for drinking water!

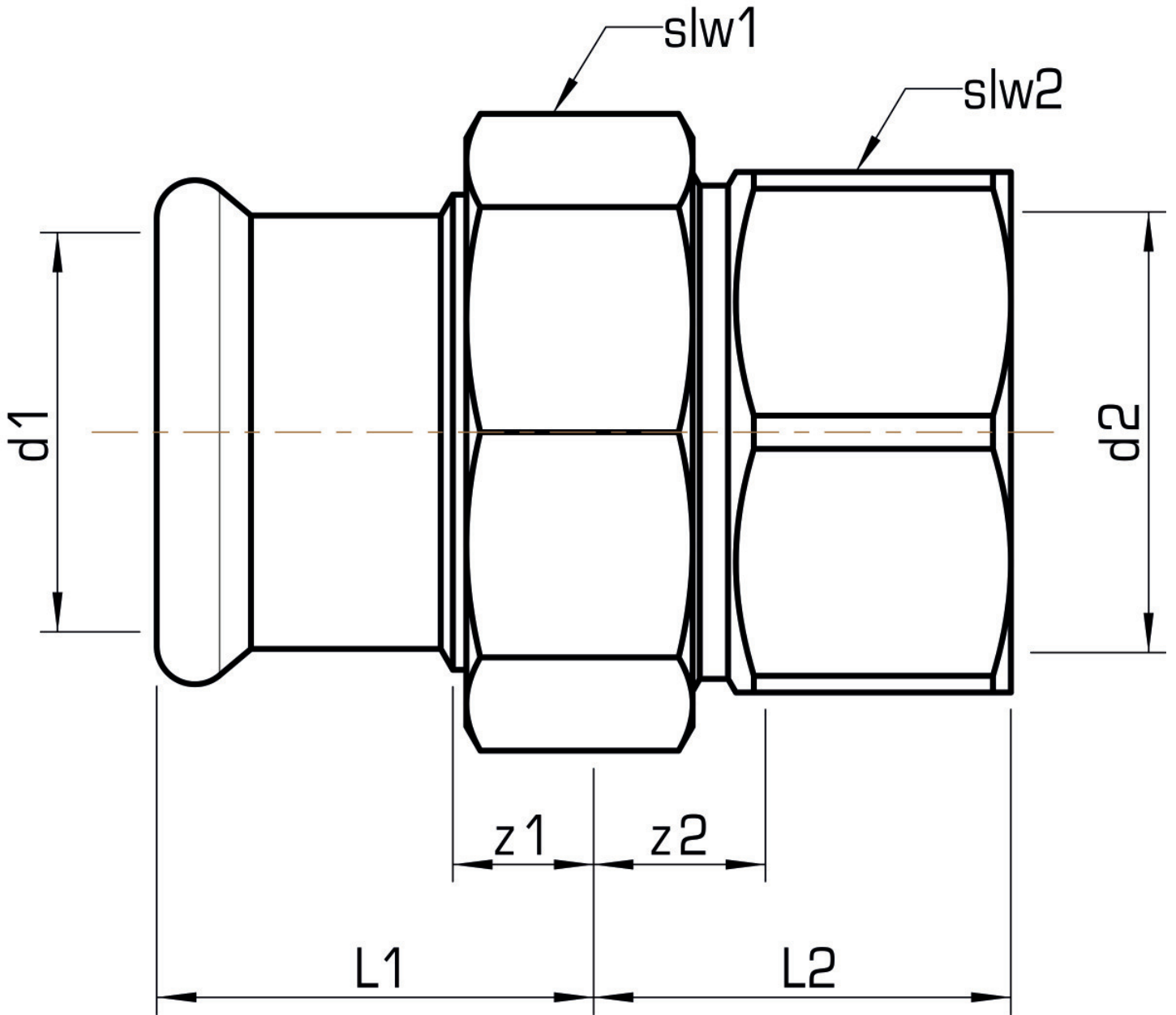
Specifications

Article information

port 1	Pressmuffe
port 2	Innengewinde zylindrisch BSPT-Rp (ISO 7-1 / EN 10226-1)
execution	1-teilig
design	gerade
press contour	M

Product information

VPE1	2,00 SA1
VPE2	8,00 KT1
weight	0,610 KGM
text	STEELFIX industrial stainless steel press-fit union with female thread
INTRNR	73072980
code	NPI466



Art. No	label	d2 Zoll	d1 mm	L1 mm	L2 mm	z1 mm	z2 mm	slw1 mm	slw2 mm
53842G07	42x6/4"	1 1/2 Zoll (40)	42	41	44,5	11	27	58	54