

STEEL FIX EDELSTAHL

NPI471 STEELFIX industrial stainless steel press-fit cap 88,9

53835K00

Areas of application



Press-fit cap made of stainless steel 1.4301, incl. EPDM sealing elements, d15-54 "leak before pressed"

Press contour: M

ATTENTION: NOT suitable for drinking water!

Specifications

Article information

port 1 Pressmuffe

press contour M

Product information

VPE1 2,00 SA1

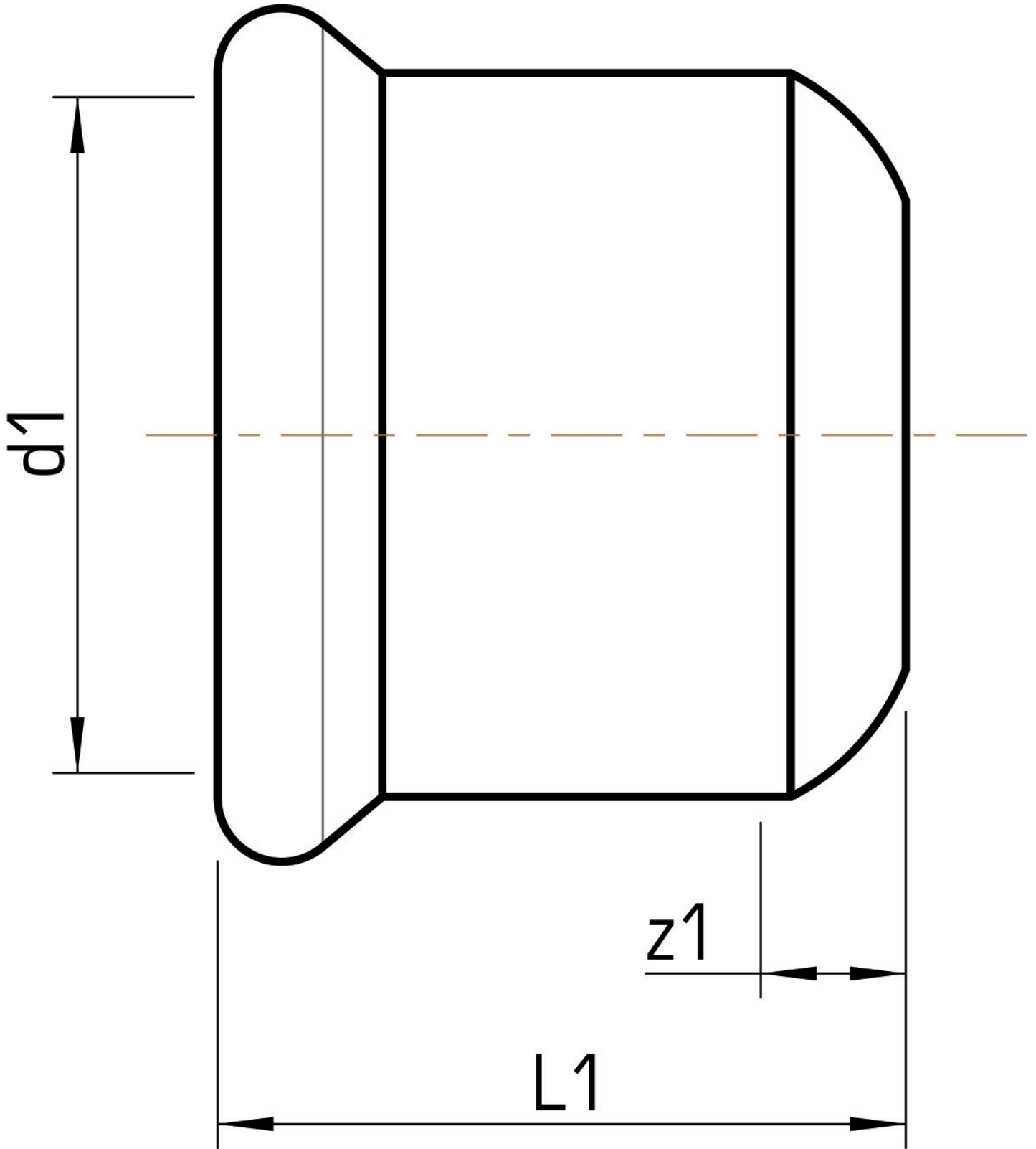
VPE2 20,00 KT1

weight 0,560 KGM

text STEELFIX industrial stainless steel press-fit cap

INTRNR 73072980

code NPI471



Art. No	label	d1 mm	L1 mm	z1 mm
53835K00	88,9	88,9	107	44



KE KELIT GmbH

A 4020 Linz, Ignaz-Mayer-Straße 17, Austria, Europe

PHONE +43 (0) 50 779 **E-MAIL** office@kekelit.com

www.kekelit.com