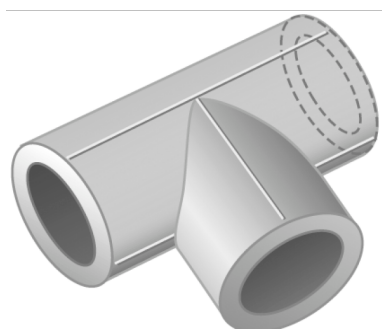


KELEN

KE30 KELEN PP-RCT equal tee 32

2562501

Areas of application



KELEN PP-RCT Polyfusion welding fitting for connecting pipes with fittings made of the same material (no reduction of internal diameter)

Approvals:



KE KELIT GmbH

A 4020 Linz, Ignaz-Mayer-Straße 17, Austria, Europe

PHONE +43 (0) 50 779 E-MAIL office@kekelit.com

www.kekelit.com

Specifications

Article information

port 1	Kunststoffschweißmuffe
port 2	Kunststoffschweißmuffe
port 3	Kunststoffschweißmuffe
execution	T-Stück
angle	90 °

Technical properties

maximum working pressure at 20 ° C	20 bar
------------------------------------	--------

Product information

VPE1	5,00 SA1
VPE2	30,00 KT1
VPE3	180,00 KT2
VPE4	2880,00 PAL
weight	0,079 KGM
text	KELEN PP-RCT equal tee
INTRNR	39174000
main material group	KELEN
material group	KELEN plastic fittings
code	KE30



Art. No	label	d1 mm	d2 mm	d3 mm	L1 mm	L2 mm	L3 mm	z1 mm	z2 mm	z3 mm
2562501	32	32	32	32	42	42	42	17	17	17