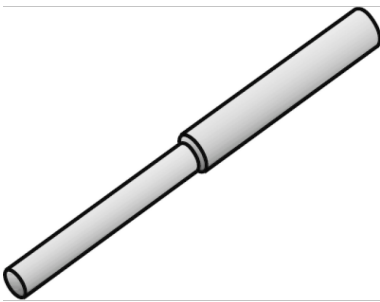


KELEN

KE99 KELEN PP-RCT repair weld plug 7-11 mm

2803301

Areas of application



KELEN PP-RCT repair weld plug for the welding of bore holes size d6 mm and d10 mm

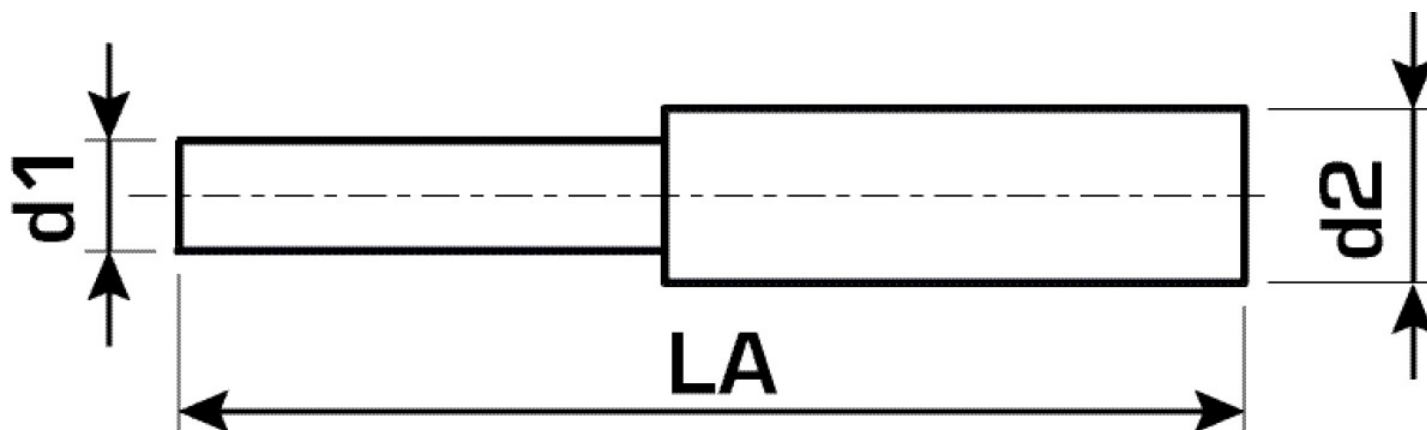
Colour: grey

Approvals:



Specifications

Product information	
VPE1	1,00 SA1
VPE2	150,00 KT1
VPE3	900,00 KT2
weight	0,006 KGM
text	KELEN PP-RCT repair weld plug
INTRNR	39174000
main material group	KELEN
material group	KELEN plastic fittings
code	KE99



Art. No	label	d1 mm	d2 mm	L1 mm
2803301	7-11mm	7	11	120