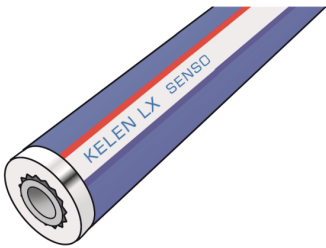


# KELEN

## KE00-LX9 KELEN PP-RCT LX-SENSO pipe - PN20 20x3.4

1520091

### Areas of application



KELEN PP-RCT SENSO drinking water pipe system conforming to ÖNORM EN ISO 15874 made of polypropylene (PP-RCT) with factory-installed 9mm soft-foam insulation, can be located electronically; outer layer consisting of woven tape fabric and viscoplastic polymer alloy

Application area: 20°C/20 bar - 70°C/10 bar

Length: 4m

## Approvals:



# Specifications

## Article information

port 1 Rohrende

port 2 Rohrende

## Technical properties

isolation thickness 9 mm

pipe weight 0,25 kg/m

pipe contents 0,14 l/m

thermal conductivity 0,039 W/(m.K)

diameter inner tube 20 mm

PN PN 20

## Product information

DIM2 13,2

VPE1 60,00 BND

VPE2 2100,00 HOB

L 4 m

weight 0,227 KGM

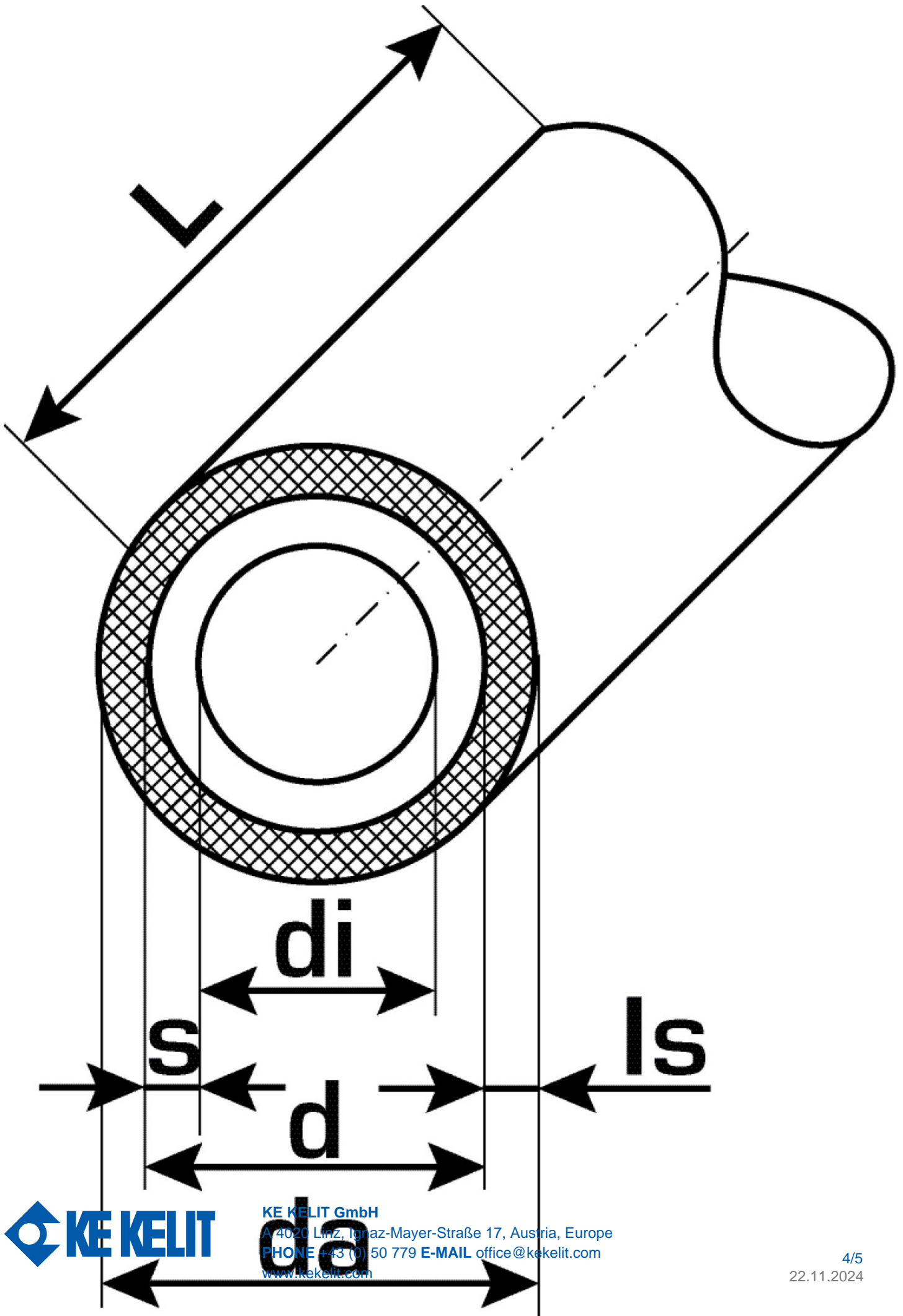
text KELEN PP-RCT LX-SENSO pipe - PN20

INTRNR 39172290

main material group KELEN

material group KELEN-LX pipes

code KE00-LX9



Art. No	label	d mm	d mm	d1 mm	pipe contents l/m	s mm
1520091	20x3.4	13,2	13,2	20	0,14	3,4



**KE KELIT GmbH**

A 4020 Linz, Ignaz-Mayer-Straße 17, Austria, Europe

**PHONE** +43 (0) 50 779 **E-MAIL** office@kekelit.com

www.kekelit.com