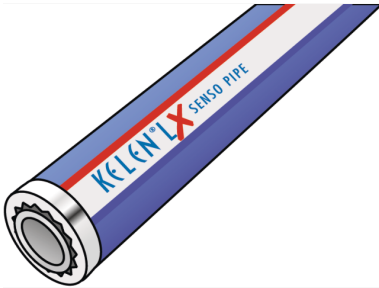


KELEN

KE08-LX4 KELEN PP-RCT LX-SENSO pipe - PN16 20x2.8

1620041

Areas of application



KELEN PP-RCT SENSO drinking water pipe system conforming to ÖNORM EN ISO 15874 made of polypropylene (PP-RCT) with factory-installed 4mm soft-foam insulation, can be located electronically; outer layer consisting of woven tape fabric and viscoplastic polymer alloy

Application area: 20°C/16 bar - 70°C/10 bar

Length: 4m

Approvals:



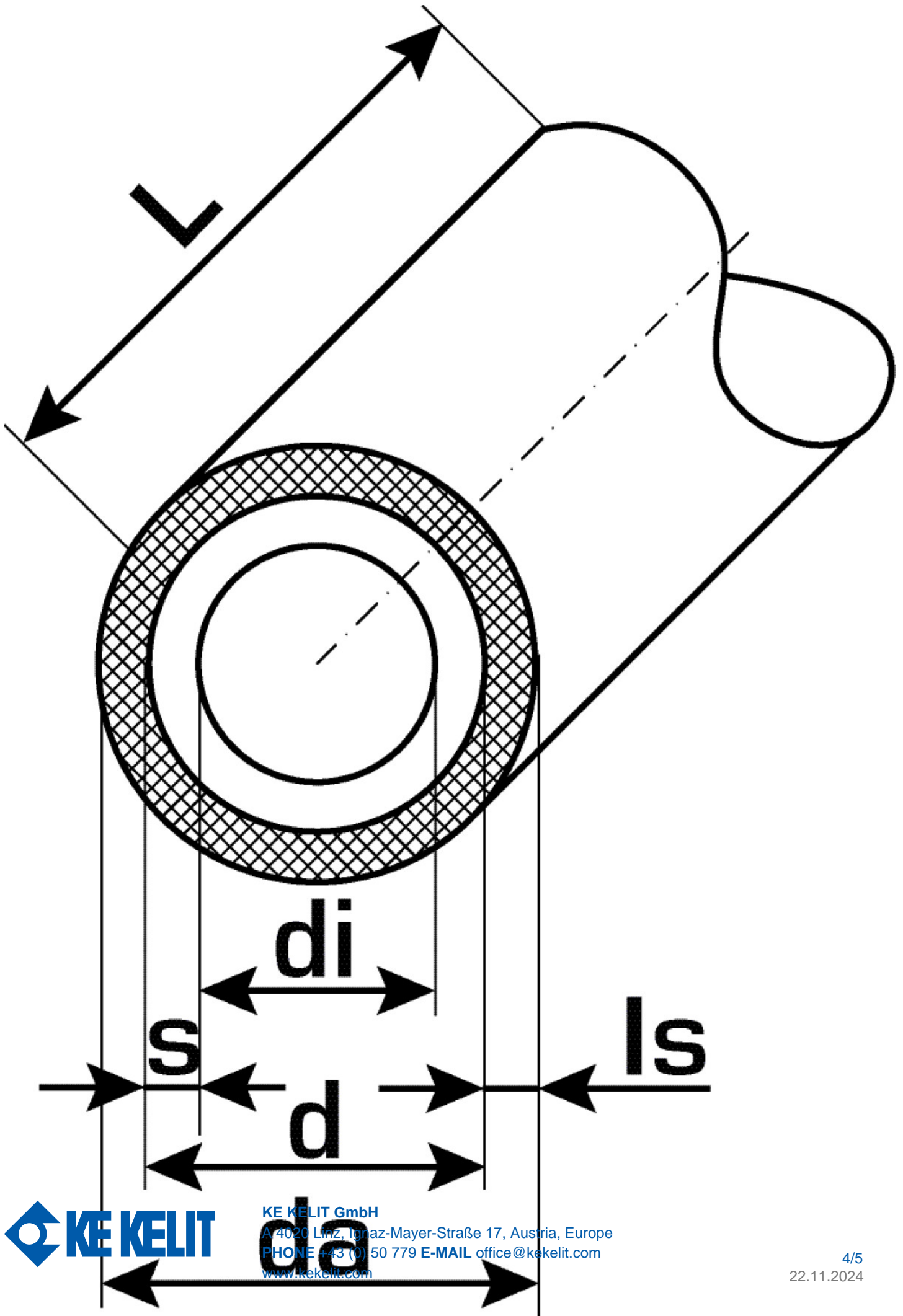
Specifications

Technical properties

| | |
|----------------------|---------------|
| isolation thickness | 4 mm |
| pipe weight | 0,19 kg/m |
| pipe contents | 0,16 l/m |
| thermal conductivity | 0,039 W/(m.K) |
| diameter inner tube | 20 mm |

Product information

| | |
|---------------------|-----------------------------------|
| DIM2 | 14,4 |
| VPE1 | 80,00 BND |
| VPE2 | 4000,00 HOB |
| L | 4 m |
| weight | 0,182 KGM |
| text | KELEN PP-RCT LX-SENSO pipe - PN16 |
| INTRNR | 39172290 |
| main material group | KELEN |
| material group | KELEN-LX pipes |
| code | KE08-LX4 |



| Art. No | label | d mm | pipe contents l/m |
|---------|--------|------|-------------------|
| 1620041 | 20x2.8 | 14,4 | 0,16 |



KE KELIT GmbH

A 4020 Linz, Ignaz-Mayer-Straße 17, Austria, Europe

PHONE +43 (0) 50 779 **E-MAIL** office@kekelit.com

www.kekelit.com