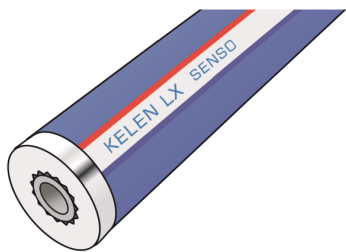


KELEN

KE08-LX13 KELEN PP-RCT LX-SENSO pipe - PN16 20x2.8

1620131

Areas of application



KELEN PP-RCT SENSO drinking water pipe system conforming to ÖNORM EN ISO 15874 made of polypropylene (PP-RCT) with factory-installed 13 mm soft-foam insulation, can be located electronically; outer layer consisting of woven tape fabric and viscoplastic polymer alloy

Application area: 20°C/16 bar - 70°C/10 bar

Length: 4 m

Approvals:



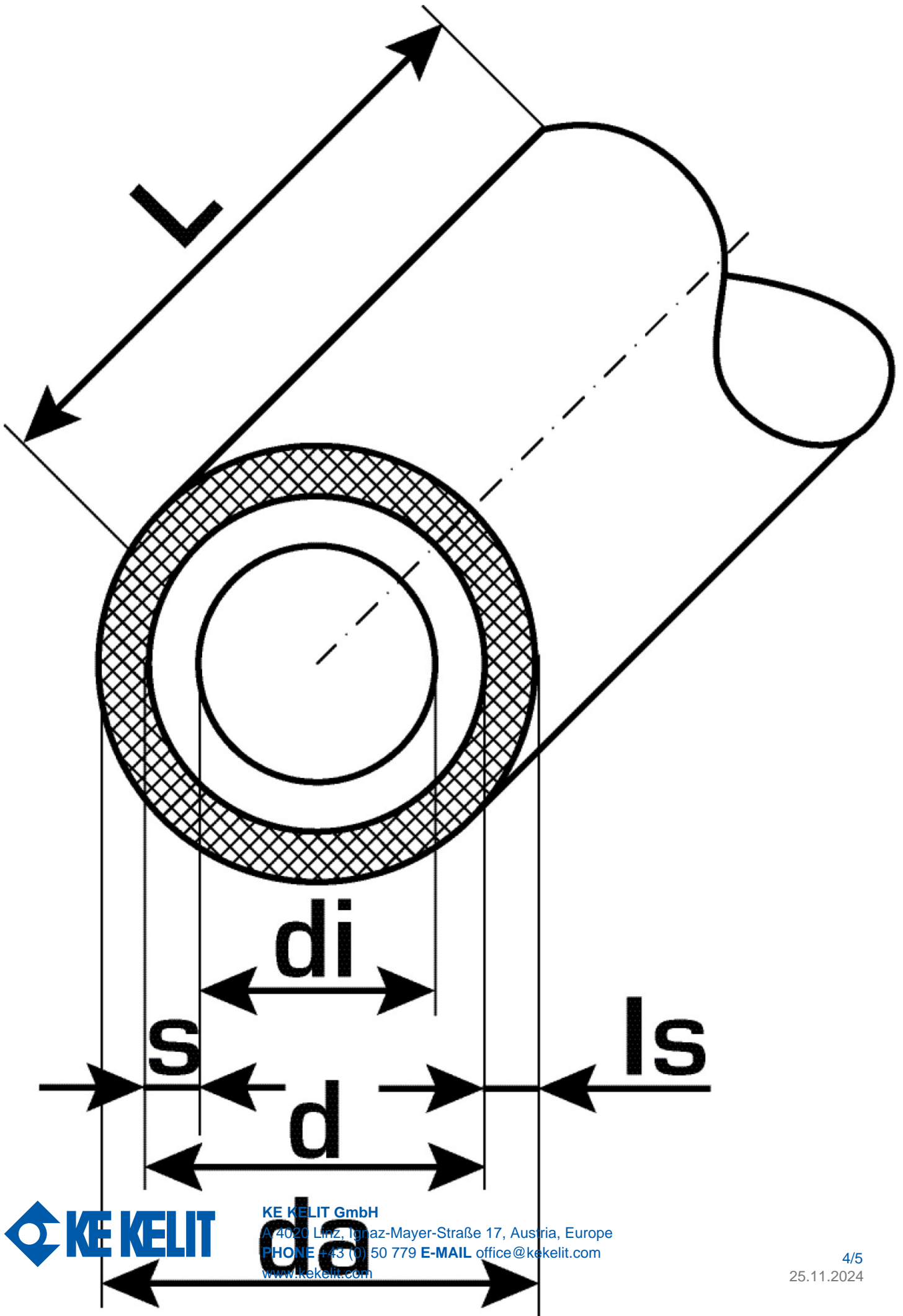
Specifications

Technical properties

isolation thickness	13 mm
pipe weight	0,26 kg/m
pipe contents	0,16 l/m
thermal conductivity	0,039 W/(m.K)
diameter inner tube	20 mm

Product information

DIM2	14,4
VPE1	40,00 BND
VPE2	1400,00 HOB
L	4 m
weight	0,240 KGM
text	KELEN PP-RCT LX-SENSO pipe - PN16
INTRNR	39172290
main material group	KELEN
material group	KELEN-LX pipes
code	KE08-LX13



Art. No	label	d mm	pipe contents l/m
1620131	20x2.8	14,4	0,16



KE KELIT GmbH

A 4020 Linz, Ignaz-Mayer-Straße 17, Austria, Europe

PHONE +43 (0) 50 779 **E-MAIL** office@kekelit.com

www.kekelit.com