

# KELEN

## KE11 KELEN PP-RCT adapter male 40x5/4"S

2599001

### Areas of application



KELEN PP-RCT Polyfusion welding fitting for connecting pipes with fittings made of the same material (no reduction of internal diameter), with injected male thread made of dezincification-resistant brass, non-porous metal plating, thread conforms to ÖNORM EN 10226

System parts marked with an "S" are produced with a wrench attachment connection

### Approvals:



KE KELIT GmbH

A 4020 Linz, Ignaz-Mayer-Straße 17, Austria, Europe

PHONE +43 (0) 50 779 E-MAIL [office@kekelit.com](mailto:office@kekelit.com)

[www.kekelit.com](http://www.kekelit.com)

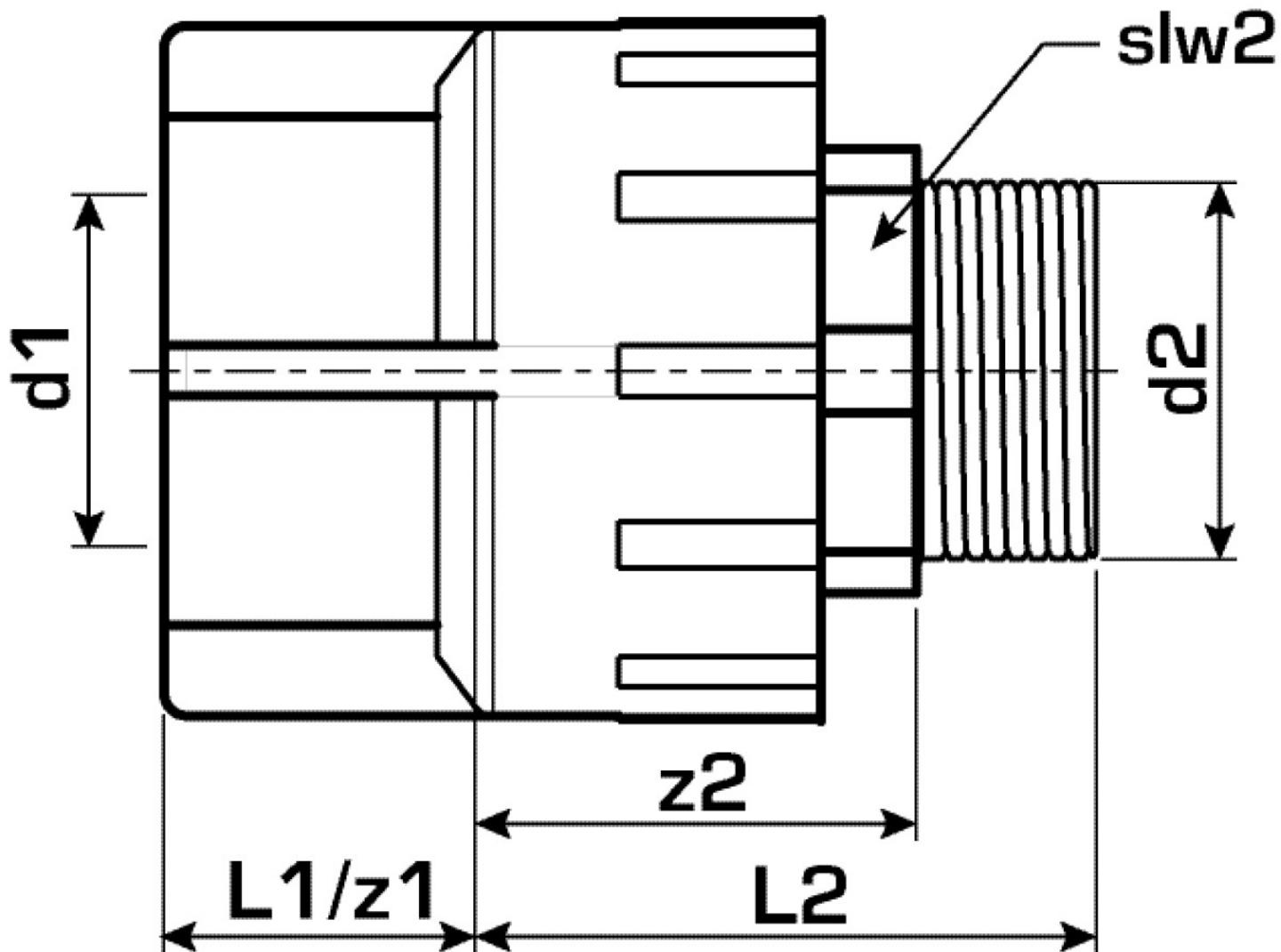
# Specifications

## Article information

|           |                            |
|-----------|----------------------------|
| port 1    | Kunststoffschweißmuffe     |
| port 2    | Außengewinde konisch (NPT) |
| execution | 2-part                     |
| design    | gerade                     |

## Product information

|                     |                           |
|---------------------|---------------------------|
| VPE1                | 2,00 SA1                  |
| VPE2                | 16,00 KT1                 |
| VPE3                | 64,00 KT2                 |
| VPE4                | 1536,00 PAL               |
| weight              | 0,501 KGM                 |
| text                | KELEN PP-RCT adapter male |
| INTRNR              | 39174000                  |
| main material group | KELEN                     |
| material group      | KELEN metal fittings      |
| code                | KE11                      |



| Art. No | label    | d2     | d1 mm | L1 mm | L2 mm | z1 mm | z2 mm | slw2 |
|---------|----------|--------|-------|-------|-------|-------|-------|------|
| 2599001 | 40x5/4"S | 1 1/4" | 40    | 26    | 63    | 26    | 40    | 46   |