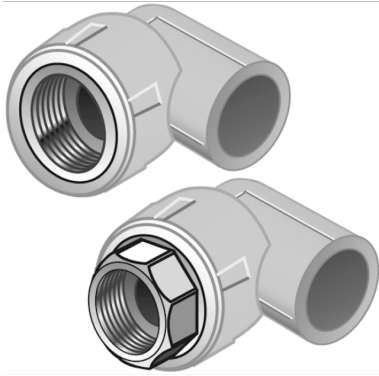


KELEN

KE23 KELEN PP-RCT elbow adapter 90° female 20x3/4"

2603601

Areas of application



KELEN PP-RCT Polyfusion welding fitting for connecting pipes with fittings made of the same material (no reduction of internal diameter), with injected male thread made of dezincification-resistant brass, non-porous metal plating, threads conform to ÖNORM EN 10226

System parts marked with an "S" are produced with a wrench attachment connection

Do NOT connect to threaded pipes or to cast iron fittings!

Approvals:



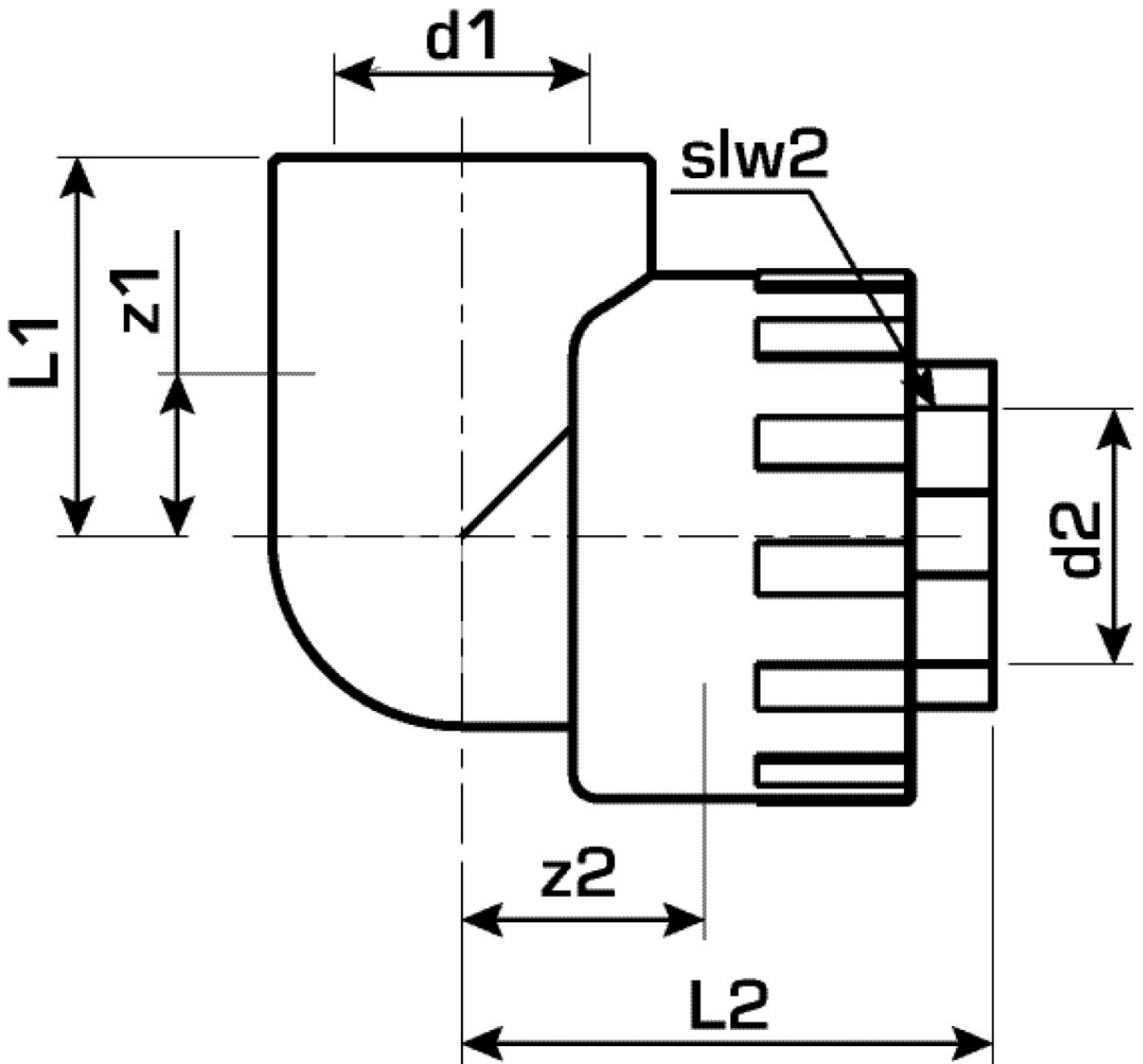
Specifications

Article information

| | |
|-----------|---|
| port 1 | Kunststoffschweißmuffe |
| port 2 | Innengewinde zylindrisch BSPT-Rp (ISO 7-1 / EN 10226-1) |
| execution | 2-part |
| design | Bogen |
| angle | 90 ° |

Product information

| | |
|---------------------|---------------------------------------|
| VPE1 | 10,00 SA1 |
| VPE2 | 60,00 KT1 |
| VPE3 | 240,00 KT2 |
| VPE4 | 5760,00 PAL |
| weight | 0,109 KGM |
| text | KELEN PP-RCT elbow adapter 90° female |
| INTRNR | 39174000 |
| main material group | KELEN |
| material group | KELEN metal fittings |
| code | KE23 |



| Art. No | label | d1 mm | L1 mm | L2 mm | z1 mm | z2 mm |
|---------|---------|-------|-------|-------|-------|-------|
| 2603601 | 20x3/4" | 20 | 28 | 35 | 13 | 21 |