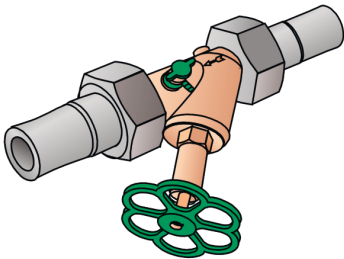


# KELEN

## KE52 KELEN PP-RCT slanted seat valve with fitting connection KE57 40-DN32

2670401

### Areas of application



KELEN PP-RCT Polyfusion welding fitting, with fitting screw fittings KE57 flat sealing, top part "dead space-free", incl. EPDM seal and outflow plastic socket or EPDM seal available separately!

### Approvals:



KE KELIT GmbH

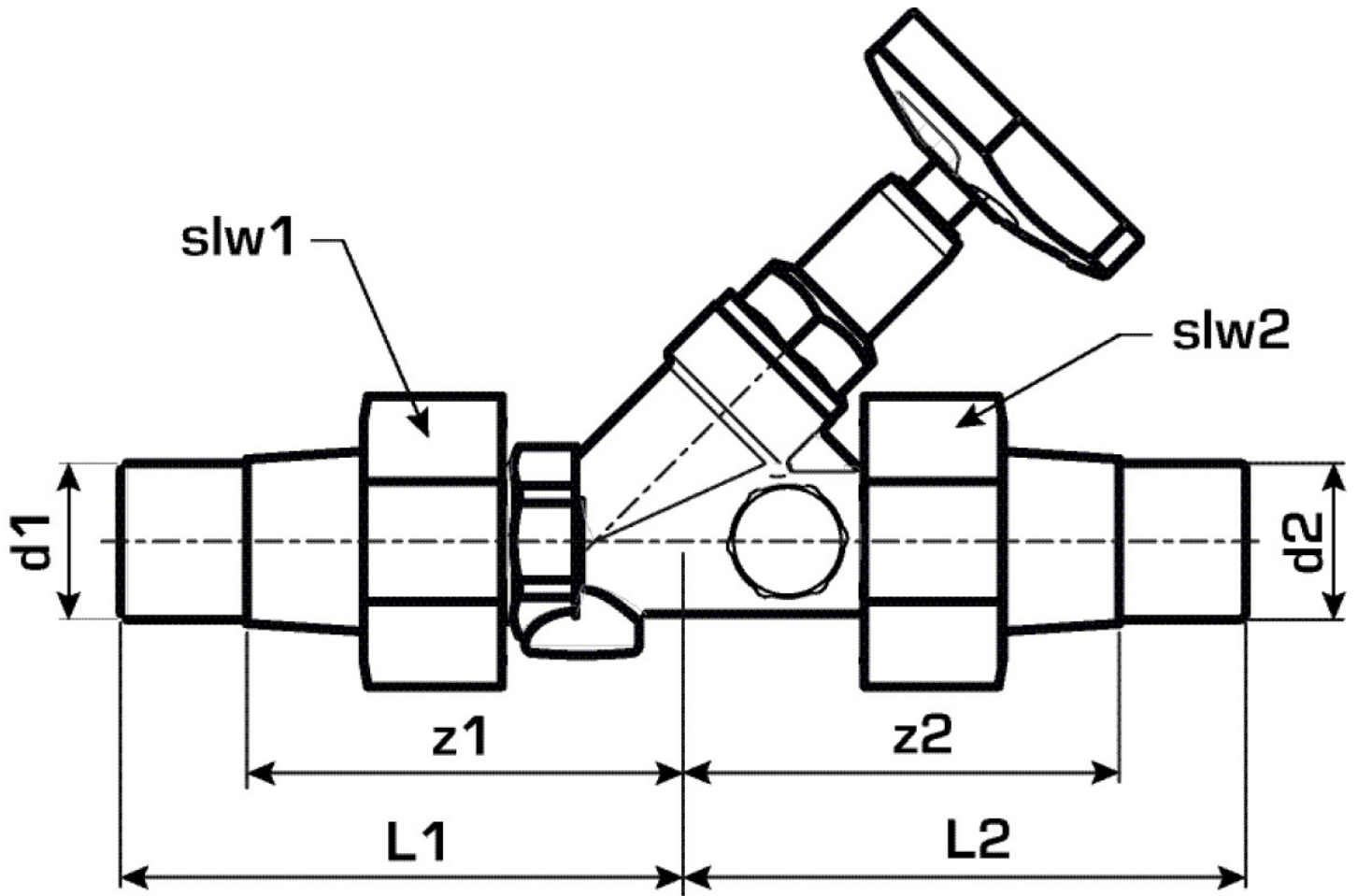
A 4020 Linz, Ignaz-Mayer-Straße 17, Austria, Europe

PHONE +43 (0) 50 779 E-MAIL [office@kekelit.com](mailto:office@kekelit.com)

[www.kekelit.com](http://www.kekelit.com)

# Specifications

| Product information |  |
|---------------------|--|
| VPE1                | 1,00 SA1   |
| VPE2                | 3,00 KT1   |
| VPE3                | 12,00 KT2  |
| VPE4                | 288,00 PAL   |
| weight              | 1,903 KGM  |
| text                | KELEN PP-RCT slanted seat valve with fitting connection KE57 |
| INTRNR              | 84818079   |
| main material group | KELEN  |
| material group      | KELEN metal fittings   |
| code                | KE52   |



| Art. No | label   | L1 mm | L2 mm | z1 mm | z2 mm | slw1 | slw2 |
|---------|---------|-------|-------|-------|-------|------|------|
| 2670401 | 40-DN32 | 147   | 147   | 97    | 97    | 66   | 66   |