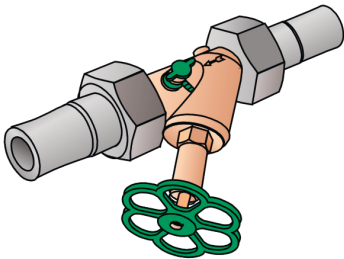


KELEN

KE52 KELEN PP-RCT slanted seat valve with fitting connection KE57 63-DN50

2670631

Areas of application



KELEN PP-RCT Polyfusion welding fitting, with fitting screw fittings KE57 flat sealing, top part "dead space-free", incl. EPDM seal and outflow plastic socket or EPDM seal available separately!

Approvals:



KE KELIT GmbH

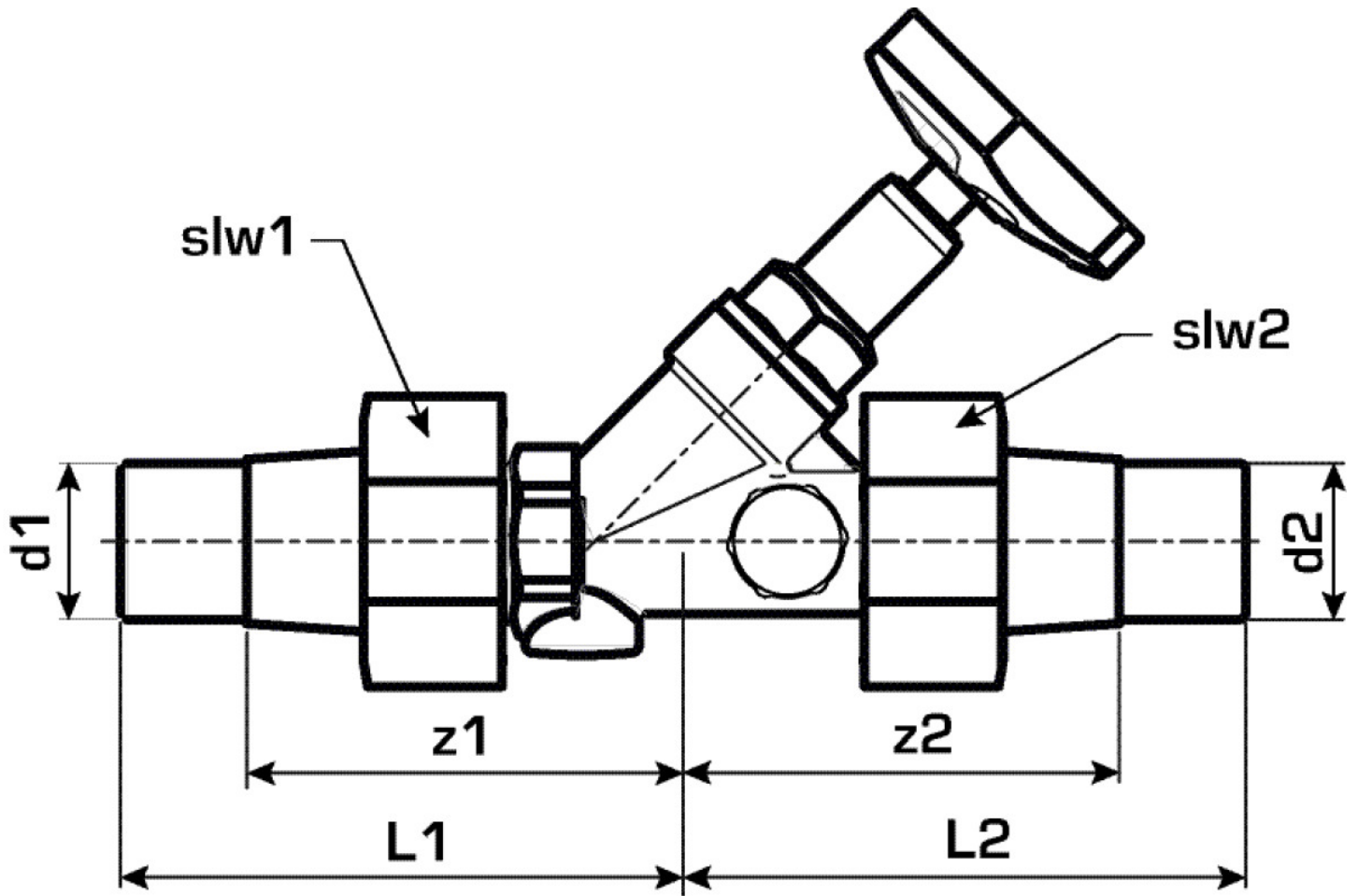
A 4020 Linz, Ignaz-Mayer-Straße 17, Austria, Europe

PHONE +43 (0) 50 779 E-MAIL office@kekelit.com

www.kekelit.com

Specifications

Product information	
VPE1	1,00 SA1
VPE2	2,00 KT1
VPE3	8,00 KT2
VPE4	192,00 PAL
weight	3,468 KGM
text	KELEN PP-RCT slanted seat valve with fitting connection KE57
INTRNR	84818079
main material group	KELEN
material group	KELEN metal fittings
code	KE52



Art. No	label	L1 mm	L2 mm	z1 mm	z2 mm	slw1	slw2
2670631	63-DN50	165	165	115	115	86	86