

KELEN

KE83HA KELEN PP-RCT hollow wall elbow fitting 90° female 20x1/2"x50

2626001

Areas of application



KELEN PP-RCT Polyfusion welding fitting for connecting pipes with fittings made of the same material (no reduction of internal diameter), with injected female thread made of dezincification-resistant brass, non-porous metal plating, thread conforms to ÖNORM EN 10226, on the metal side extended by 50mm with male thread M28mm, octagonal version, seal and 2 lock nuts
Do NOT connect to threaded pipes or to cast iron fittings!

Approvals:



Specifications

Article information

port 1	Kunststoffschweißmuffe
design	Durchgängig rechtwinklig

Product information

VPE1	5,00 SA1
VPE2	30,00 KT1
VPE3	120,00 KT2
VPE4	2880,00 PAL
weight	0,296 KGM
text	KELEN PP-RCT hollow wall elbow fitting 90° female
INTRNR	39174000
main material group	KELEN
material group	KELEN metal fittings
code	KE83HA

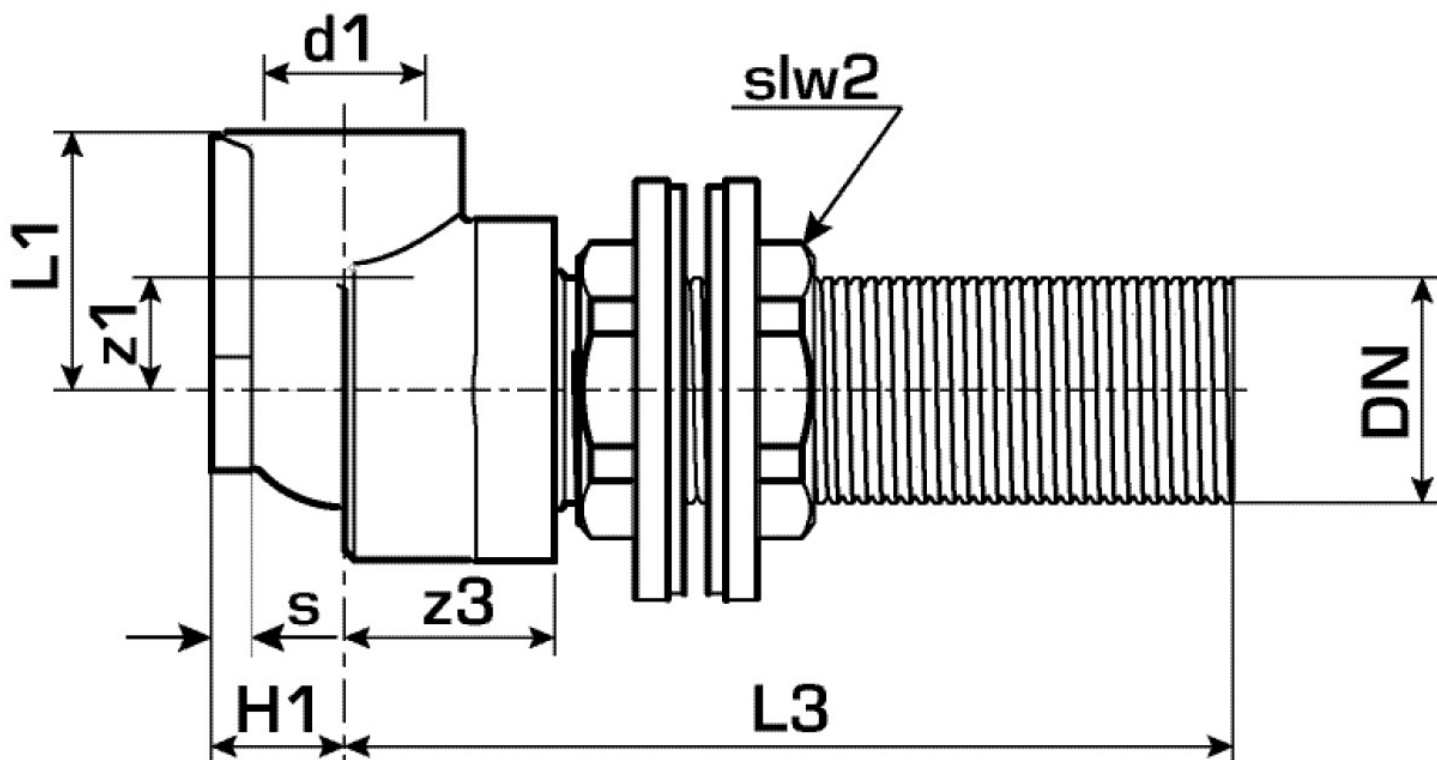


KE KELIT GmbH

A 4020 Linz, Ignaz-Mayer-Straße 17, Austria, Europe

PHONE +43 (0) 50 779 **E-MAIL** office@kekelit.com

www.kekelit.com



Art. No	label	d1 mm	L1 mm	L3 mm	z1 mm	z3 mm	slw2 mm
2626001	20x1/2"x50	20	28	84	12	34	31