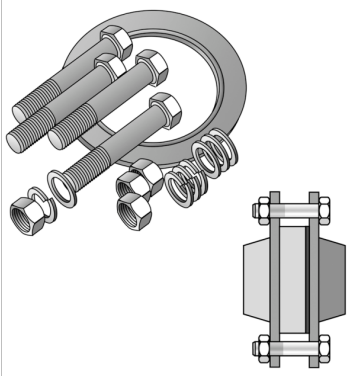


KELEN

K19A KELIT seal set for loose flange KE18 - steel flange 90 8-hole

2730780

Areas of application



Incl. screws, nuts, spring washers, shims and EPDM seal with steel insert, screw length aligned with KE18 collar bushing with K19 loose flange mounted on steel flange
EPDM seal with steel insert available separately!

Approvals:



Specifications

| Product information | |
|---------------------|---|
| VPE1 | 1 SA1 |
| weight | 2,053 KGM |
| text | KELIT seal set for loose flange KE18 - steel flange |
| INTRNR | 84849000 |
| main material group | KELEN |
| material group | KELEN accessories |
| code | K19A |

| Art. No | label |
|---------|-----------|
| 2730780 | 90 8-hole |