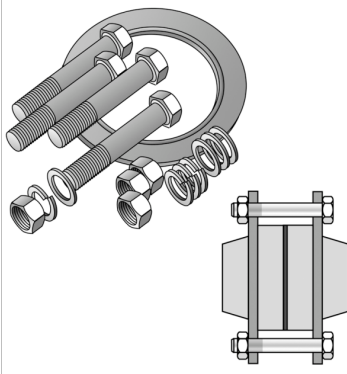


KELEN

K19K KELIT seal set for loose flange KE18 - KE18 20 4-hole

2731710

Areas of application



Incl. screws, nuts, washers, shims and EPDM seal with steal insert, screw length aligned with 2 units
KE18 collar bushing with 2 units K19 loose flange
EPDM seal with steal insert separately available!

Approvals:



Specifications

Product information	
VPE1	1,00 SA1
weight	0,428 KGM
text	KELIT seal set for loose flange KE18 - KE18
INTRNR	84849000
main material group	KELEN
material group	KELEN accessories
code	K19K

Art. No	label
2731710	20 4-hole



KE KELIT GmbH

A 4020 Linz, Ignaz-Mayer-Straße 17, Austria, Europe

PHONE +43 (0) 50 779 **E-MAIL** office@kekelit.com

www.kekelit.com