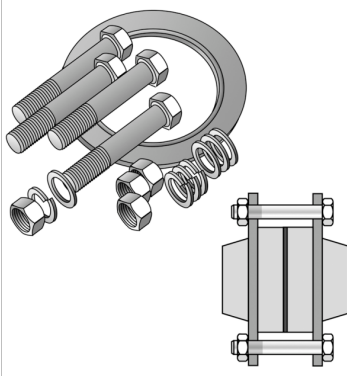


# KELEN

## K19K KELIT seal set for loose flange KE18 - KE18 63 4-hole

2731760

### Areas of application



Incl. screws, nuts, washers, shims and EPDM seal with steel insert, screw length aligned with 2 units  
KE18 collar bushing with 2 units K19 loose flange  
EPDM seal with steel insert separately available!

### Approvals:



KE KELIT GmbH

A 4020 Linz, Ignaz-Mayer-Straße 17, Austria, Europe

PHONE +43 (0) 50 779 E-MAIL [office@kekelit.com](mailto:office@kekelit.com)

[www.kekelit.com](http://www.kekelit.com)

# Specifications

Product information	
VPE1	1,00 SA1
weight	0,931 KGM
text	KELIT seal set for loose flange KE18 - KE18
INTRNR	84849000
main material group	KELEN
material group	KELEN accessories
code	K19K

Art. No	label
2731760	63 4-hole