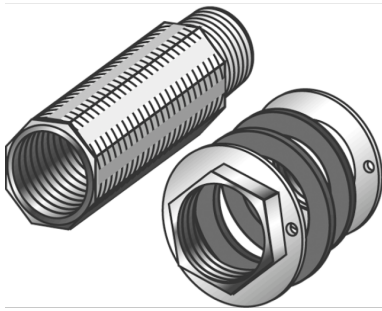


KELEN

K84 KELIT hollow wall connection unit 1/2"xM28

2678000

Areas of application



50mm extension piece made of brass, M28mm male thread, octagonal design, seal and 2 lock nuts
Do NOT screw in metal threaded pipes or cast iron fittings!

Approvals:



KE KELIT GmbH

A 4020 Linz, Ignaz-Mayer-Straße 17, Austria, Europe

PHONE +43 (0) 50 779 E-MAIL office@kekelit.com

www.kekelit.com

Specifications

Technical properties

insertion depth 1 (es1)	50 mm
-------------------------	-------

Product information

VPE1	5,00 SA1
------	----------

VPE2	30,00 KT1
------	-----------

VPE3	120,00 KT2
------	------------

VPE4	2880,00 PAL
------	-------------

weight	0,204 KGM
--------	-----------

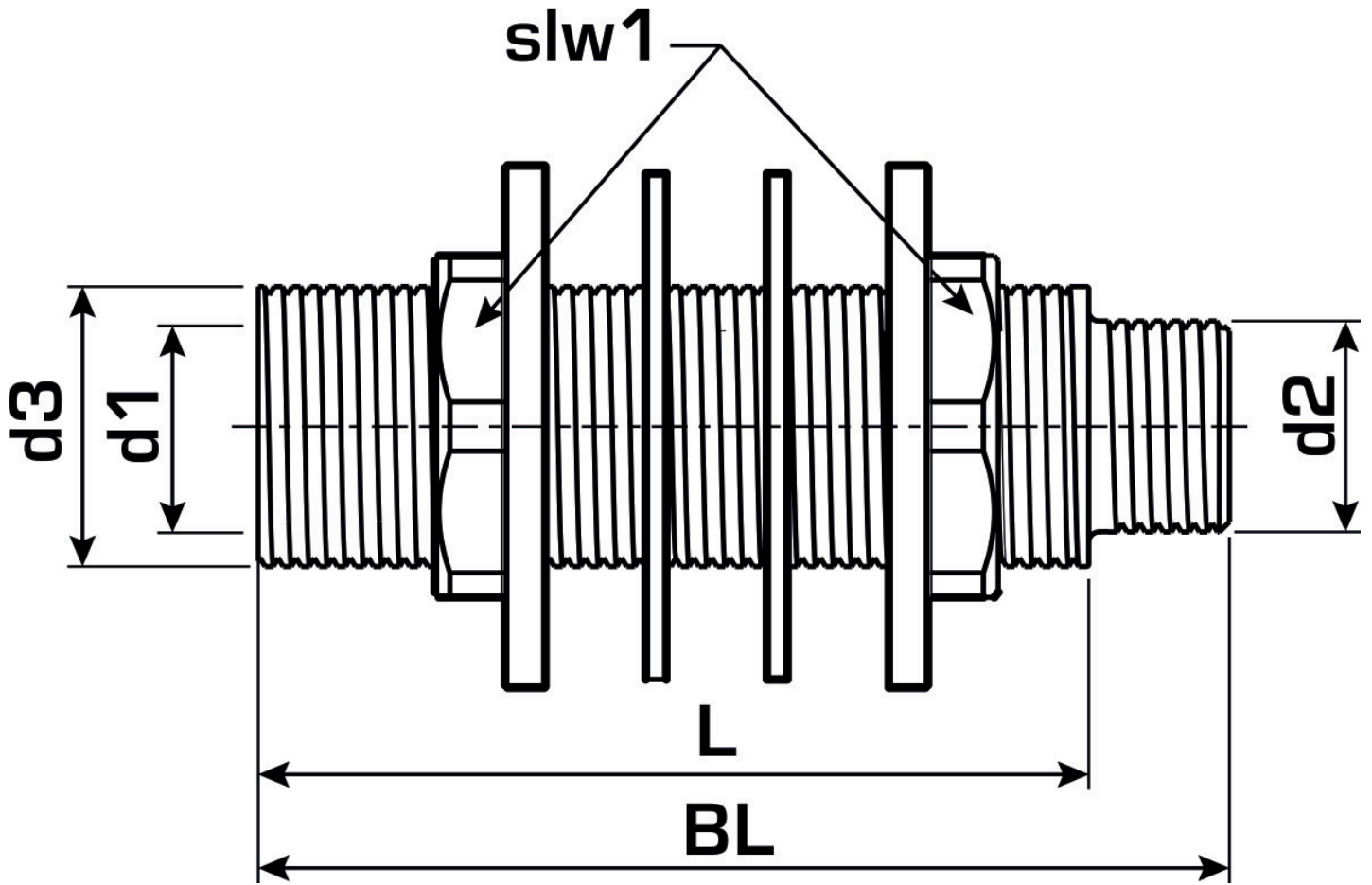
text	KELIT hollow wall connection unit
------	-----------------------------------

INTRNR	39174000
--------	----------

main material group	KELEN
---------------------	-------

material group	KELEN accessories
----------------	-------------------

code	K84
------	-----



Art. No	label	L1 mm	insertion depth 1 (es1) mm	slw1 mm
2678000	1/2"xM28	64	50	30