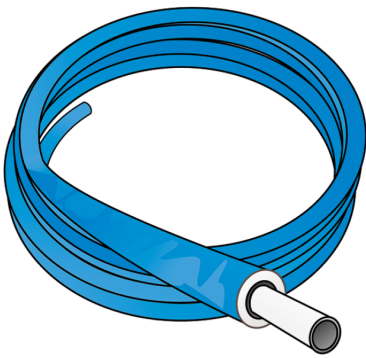


# KELOX

## KM134 KELOX plus pipe - 4mm 20x2.25

7521204

### Areas of application



?KELOX multilayer pipe conforming to ÖNORM EN ISO 21003, oxygen- and water vapour diffusion-tight 5-layer PE-RT/Al/PE-RT composite pipe, with factory-applied 4mm closed-cell soft foam insulation and jacket made of viscoplastic PE film

Classification of operating conditions according to ÖNORM EN ISO 21003

Sanitary application - Class 2: 70°C - tmax 80°C/10 bar

Radiator connection - Class 5: 80°C - tmax 90°C/10 bar

Insulation thickness: 4mm

Colour: blue

Supplied in coils

## Approvals:



# Specifications

## Article information

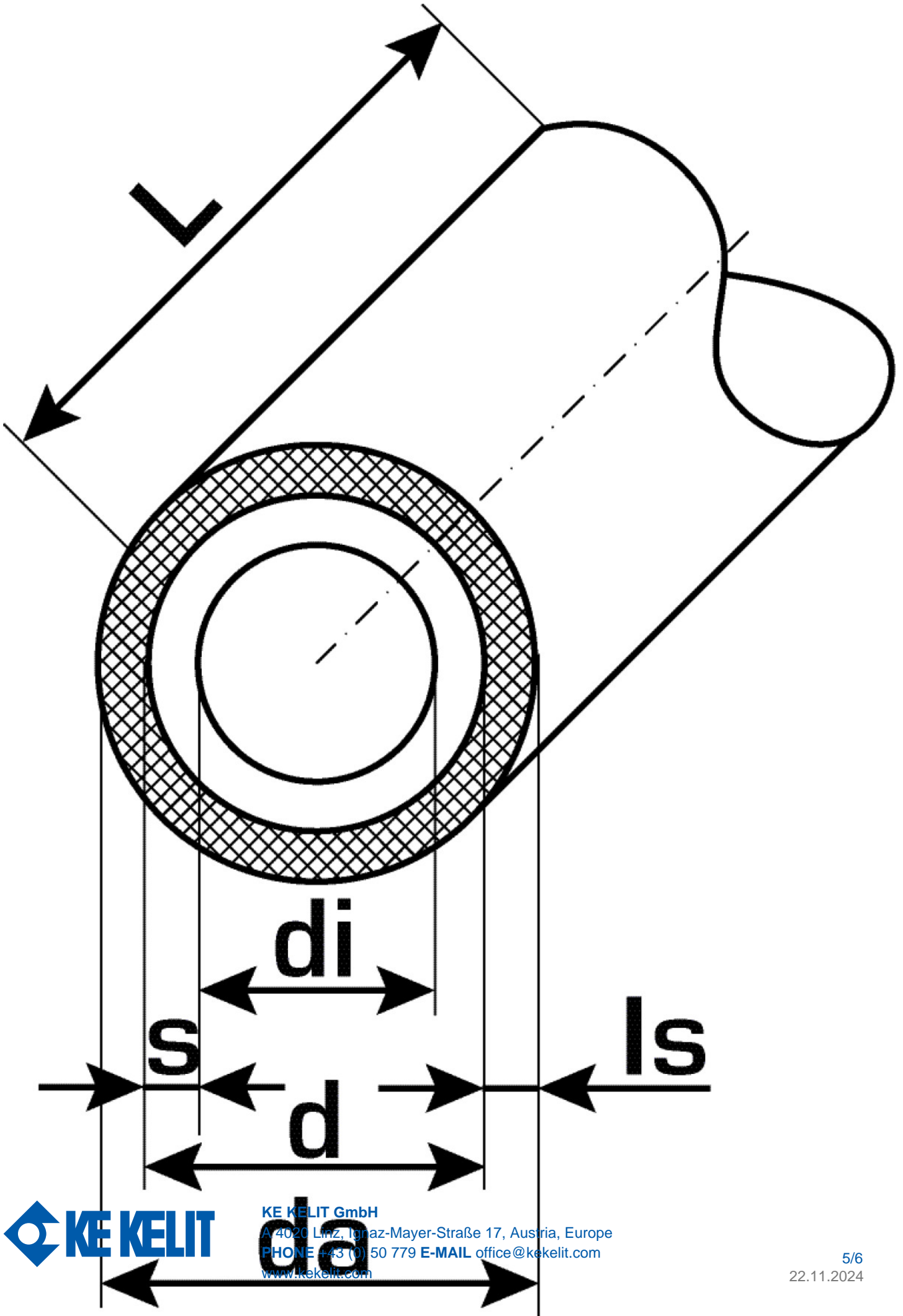
color	White
colour isolation	Blue
flexible	1
trade length	50,00 m
isolation	1

## Technical properties

maximum working pressure at 20 ° C	10 bar
thick thermal insulation	4 mm
pipe weight	0,19 kg/m
pipe contents	0,189 l/m
lambda pipe	0,45 W/(m.K)
wall rawness	0,007 mm
expansion coefficient	0,025 mm/(m.K)

## Product information

VPE1	50,00 ROL
VPE2	850,00 PAL
L	50 m
weight	0,199 KGM
text	KELOX plus pipe - 4mm
INTRNR	39173900
main material group	KELOX
material group	KELOX isolierte pipes
code	KM134



Art. No	label	d1 mm	d Jacket tube mm	pipe contents l/m	s mm
7521204	20x2.25	20	28	0,189	2,25



**KE KELIT GmbH**

A 4020 Linz, Ignaz-Mayer-Straße 17, Austria, Europe

**PHONE** +43 (0) 50 779 **E-MAIL** [office@kekelit.com](mailto:office@kekelit.com)

[www.kekelit.com](http://www.kekelit.com)